

RDT921F901 - Configurable controllers

ENGLISH

IMPORTANT

Read this document carefully before installing and using the device and follow all the additional information; keep this document close to the device for future consultations. For further information consult the hardware manual.

The device must be disposed according to the local legislation about the collection for electrical and electronic equipment.

1 INTRODUCTION

1.1 Introduction

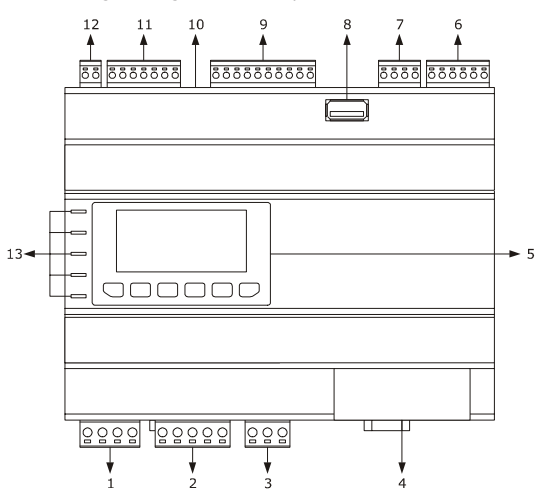
RDT900 is a range of configurable controllers for applications in refrigeration and air conditioning sectors. The controllers have a considerable number of inputs and outputs; they allow to realize a flexible, modular and expandable control devices network. The variety of available communication ports (RS-485, CAN, USB and Ethernet) and supported communication protocols make easier the integration of the devices in systems. For information on the use of the BACnet communication protocol please consult the PICS.

The actual version implements a BACnet® standardized device profile B-ASC, which doesn't require the managing of Scheduler and Calendar objects, instead required for the B-AAC profile.

2 DESCRIPTION

Description

The following drawing shows the aspect of the devices.



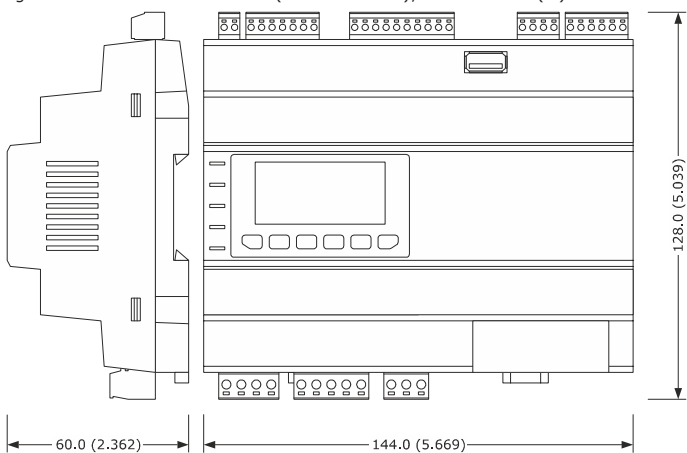
The following chart shows the meaning of the parts of the devices.

Part	Meaning
1	digital outputs K1 and K2
2	digital outputs K3, K4, K5 and K6
3	digital output K7
4	MODBUS TCP, Web Server Ethernet port
5	display and keyboard (not available in the blind versions)
6	digital inputs
7	analog outputs
8	USB port
9	analog inputs
10	micro-switch to plug in the CANBUS CAN port line termination, the MODBUS master/slave RS-485 port line termination and the MODBUS slave RS-485 port line termination
11	MODBUS slave RS-485 port, MODBUS master/slave RS-485 port and CANBUS CAN port
12	power supply
13	signalling LEDs

3 SIZE AND INSTALLATION

3.1 Size

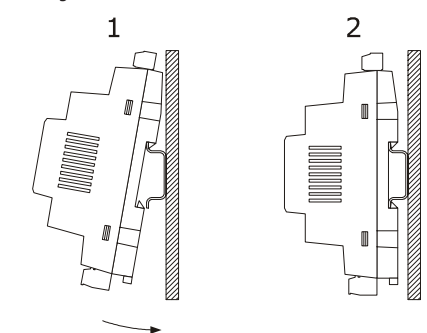
The following drawing shows the size of the devices (8 DIN modules); size is in mm (in).



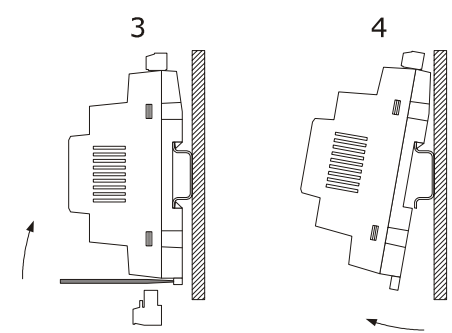
3.2 Installation

Installation is on DIN rail 35.0 x 7.5 mm (1.377 x 0.295 in) or 35.0 x 15.0 mm (1.377 x 0.590 in), into a switch-board.

To install the devices operate as shown in the following drawing.



To remove the devices remove possible extractable screw terminal blocks plugged at the bottom first, then operate on the DIN rail clips with a screwdriver as shown in the following drawing.



To install the devices again press the DIN rail clips to the end first.

3.3 Additional information for the installation

- make sure the working conditions of the device (operating temperature, operating humidity, etc.) are in the limits indicated; look at chapter "TECHNICAL DATA"

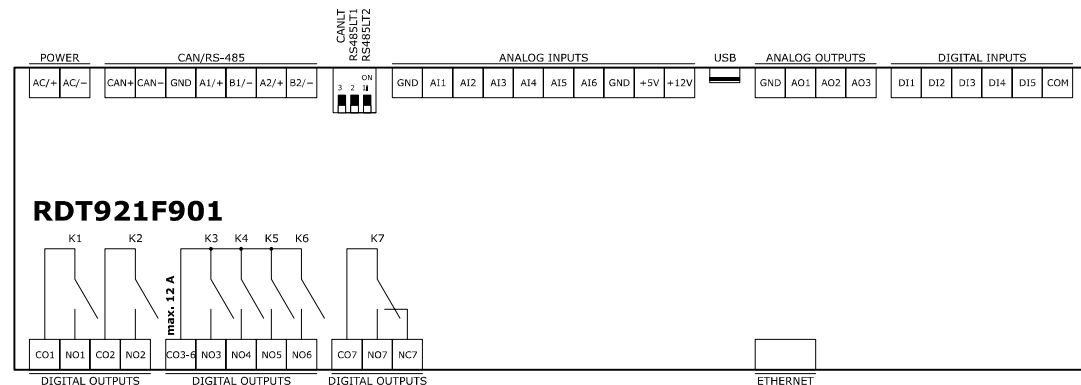
- do not install the device close to heating sources (heaters, hot air ducts, etc.), devices having big magnetos (big speakers, etc.), locations subject to direct sunlight, rain, humidity, dust, mechanical vibrations or bumps

- according to the safety legislation, the protection against possible contacts with the electrical parts must be ensured by a correct installation of the device; all the parts which ensure the protection must be fixed so that you can not remove them if not by using a tool.

4 ELECTRICAL CONNECTION

4.1 Connectors

The following drawing shows the connectors of the devices.



4.2 Meaning of connectors

The following charts show the meaning of the connectors of the devices.

For further information look at chapter "TECHNICAL DATA".

POWER

Power supply device (24 VAC/DC not isolated). If the device is powered in direct current, it will be necessary to respect the polarity of the power supply voltage.

If the device is connected to a devices network, it will be necessary:

- the power supply of the devices making the network is galvanically isolated one another
- the phase supplying the device is the same supplying all the devices making the network.

Part	Meaning
AC/+	power supply device: - if the device is powered in alternate current, connect the phase - if the device is powered in direct current, connect the positive pole
AC/-	power supply device: - if the device is powered in alternate current, connect the neutral - if the device is powered in direct current, connect the negative pole

ANALOG INPUTS

Analog inputs.

Part	Meaning
GND	ground analog inputs
AI1	analog input 1, which can be set via configuration parameter for PTC, NTC, Pt 1000, Ni 1000 probes, 0-20 mA, 4-20 mA, 0-5 V rat. or 0-10 V transducers
AI2	analog input 2, which can be set via configuration parameter for PTC, NTC, Pt 1000, Ni 1000 probes, 0-20 mA, 4-20 mA, 0-5 V rat. or 0-10 V transducers
AI3	analog input 3, which can be set via configuration parameter for PTC, NTC, Pt 1000, Ni 1000 probes, 0-20 mA, 4-20 mA, 0-5 V rat. or 0-10 V transducers
AI4	analog input 4, which can be set via configuration parameter for PTC, NTC, Pt 1000 or Ni 1000 probes
AI5	analog input 5, which can be set via configuration parameter for PTC, NTC, Pt 1000 or Ni 1000 probes
AI6	analog input 6, which can be set via configuration parameter for PTC, NTC, Pt 1000 or Ni 1000 probes
GND	ground analog inputs
+5V	power supply 0-5 V ratiometric transducers (5 VDC)
VS	power supply 0-20 mA, 4-20 mA and 0-10 V transducers (12 VDC)

DIGITAL INPUTS

Digital inputs.

Part	Meaning
DI1	digital input 1 (24 VAC/DC, 50/60 Hz or 2 KHz optoisolated)
DI2	digital input 2 (24 VAC/DC, 50/60 Hz or 2 KHz optoisolated)
DI3	digital input 3 (24 VAC/DC, 50/60 Hz optoisolated)
DI4	digital input 4 (24 VAC/DC, 50/60 Hz optoisolated)
DI5	digital input 5 (24 VAC/DC, 50/60 Hz optoisolated)
COM	common digital inputs

ANALOG OUTPUTS

Analog outputs.

Part	Meaning
GND	ground analog outputs
AO1	analog output 1, which can be set via configuration parameter for PWM or 0-10 V
AO2	analog output 2, which can be set via configuration parameter for PWM or 0-10 V
AO3	analog output 3, which can be set via configuration parameter for 0-20 mA, 4-20 mA or 0-10 V

DIGITAL OUTPUTS

Digital outputs.

Part	Meaning
CO1	common digital output 1
NO1	normally open contact digital output 1 according to the model: - 3 res. A @ 250 VAC electromechanical relay - 24 VAC/DC, 600 mA max. command for solid state relay
CO2	common digital output 2
NO2	normally open contact digital output 2 according to the model: - 3 res. A @ 250 VAC electromechanical relay - 24 VAC/DC, 600 mA max. command for solid state relay
CO3-6	common digital outputs 3... 6
NO3	normally open contact digital output 3 (3 res. A @ 250 VAC electromechanical relay)
NO4	normally open contact digital output 4 (3 res. A @ 250 VAC electromechanical relay)
NO5	normally open contact digital output 5 (3 res. A @ 250 VAC electromechanical relay)
NO6	normally open contact digital output 6 (3 res. A @ 250 VAC electromechanical relay)
CO7	common digital output 7
NO7	normally open contact digital output 7 (3 res. A @ 250 VAC electromechanical relay)
NC7	normally closed contact digital output 7

CAN/RS-485

MODBUS slave RS-485 port, MODBUS master/slave RS-485 port and CAN CANBUS port.

Part	Meaning
CAN+	positive pole CANBUS CAN port
CAN-	negative pole CANBUS CAN port
GND	ground MODBUS slave RS-485 port, MODBUS master/slave RS-485 port and CAN CANBUS port
A1/+	positive pole MODBUS master/slave RS-485 port
B1/-	negative pole MODBUS master/slave RS-485 port
A2/+	positive pole MODBUS slave RS-485 port
B2/-	negative pole MODBUS slave RS-485 port

USB

USB port.

ETHERNET

MODBUS TCP, Web Server Ethernet port.

5 SIGNALINGS

5.1 Signalings

LED	Meaning
ON	LED power supply if it is lit, the device will be powered if it is out, the device will not be powered
RUN	LED run if it is lit, the application software will be compiled and running in <i>release</i> modality if it flashes slowly, the application software will be compiled and running in <i>debug</i> modality if it flashes quickly, the application software will be compiled, running in <i>debug</i> modality and stopped in a breakpoint if it is out: - the device will not be compatible with the application software - the device will not be enabled to work with the <i>special ABL</i> (Application Block Libraries)
▲	LED system alarm if it is lit, an alarm system not resettable via application software will be running if it flashes slowly, a system alarm with automatic reset will be running if it flashes very slowly, an access to the external FLASH memory will be running if it flashes quickly, a system alarm with manual reset will be running if it is out, no alarm system will be running
CAN	LED CANBUS CAN communication if it is lit, the device will be configured to communicate via CANBUS CAN with another device but the communication will not have been set up if it flashes slowly, the CANBUS CAN communication will have been set up but it will not be completely correct if it flashes quickly, the CANBUS CAN communication will have been set up and will be correct if it is out, no CANBUS CAN communication will be running
L1	LED auxiliary

6 TECHNICAL DATA

6.1 Technical data

Purpose of control: operating control device.
Construction of control: incorporated electronic device.
Box: self-extinguishing grey.
Heat and fire resistance category: D.
Size: 144.0 x 128.0 x 60.0 mm (5.669 x 5.039 x 2.362 in; W x H x D); 8 DIN modules.
Size refers to the device with the extractable screw terminal blocks properly plugged.
Method of mounting control: on DIN rail 35.0 x 7.5 mm (1.377 x 0.295 in) or 35.0 x 15.0 mm (1.377 x 0.590 in).
Degree of protection:
- IP20 on the whole
- IP40 the front.

Connections:

- only male removable screw connection terminal blocks with pitch 3.5 mm (0.137 in) for conductors up to 1.5 mm² (0.0028 in²): power supply, analog inputs, digital inputs, analog outputs, MODBUS slave RS-485 port, MODBUS master/slave RS-485 port and CANBUS CAN port
- only male removable screw connection terminal blocks with pitch 5.0 mm (0.196 in) for conductors up to 2.5 mm² (0.0038 in²): digital outputs
- A type USB connector: USB port
- RJ45 F telephone connector: MODBUS TCP, Web Server Ethernet port.

The maximum lengths allowed for the connecting cables are the following:

- power supply: 100 m (328 ft)
- analog inputs: 100 m (328 ft)
- power supply transducers: 100 m (328 ft)
- digital inputs: 100 m (328 ft)
- PWM analog outputs: 1 m (3.280 ft)
- 0-20 mA, 4-20 mA and 0-10 V analog outputs: 100 m (328 ft)
- digital outputs (electromechanical relays): 100 m (328 ft)
- digital outputs (command for solid state relays): 100 m (328 ft)
- MODBUS slave RS-485 port and MODBUS master/slave RS-485 port: 1,000 m (3,280 ft); also look at *MODBUS specifications and implementation guides* manual available on <http://www.modbus.org/specs.php>

- CANBUS CAN port:
 - 1,000 m (3,280 ft) with baud rate 20,000 baud
 - 500 m (1,640 ft) with baud rate 50,000 baud
 - 250 m (820 ft) with baud rate 125,000 baud
 - 50 m (164 ft) with baud rate 500,000 baud
- according to the factory setting the device automatically detects the baud rate of the other elements making the network, on condition that it is one of those listed before; on afterwards set manually the baud rate to the same value of that of the other elements

USB port: 1 m (3.280 ft).
To wire the device one suggests using the connecting kit CJAV31 (to order separately): only female removable screw connection terminal blocks with pitch 3.5 mm (0.137 in) for conductors up to 1.5 mm² (0.0028 in²) and only female removable screw connection terminal blocks with pitch 5.0 mm (0.196 in) for conductors up to 2.5 mm² (0.0038 in²).

To program the device one suggests using the connecting cables 0810500018 or 0810500020 (to order separately): the cable 0810500018 is 2.0 m (6.561 ft) long, the cable 0810500020 is 0.5 m (1.640 ft) long.

Operating temperature:

- from -10 to 55 °C (from 14 to 131 °F) for the built-in versions
- from -20 to 55 °C (from -4 to 131 °F) for the blind versions.

Storage temperature: from -25 to 70 °C (from -13 to 158 °F).

Operating humidity: from 10 to 90% of relative humidity not condensing.

Control pollution situation: 2.

Environmental conformity:

- RoHS 2011/65/CE
- WEEE 2012/19/EU
- REACH regulation (CE) n. 1907/2006.

EMC conformity:

- EN 60730-1
- IEC 60730-1.

Power supply:

- 24 VAC, 50/60 Hz (±3 Hz), 20 VA max. not isolated
- 20... 40 VDC, 12 W max. not isolated

supplied by a class 2 circuit.

Protect the power supply with a 2 A-T 250 V fuse.

If the device is powered in direct current, it will be necessary to respect the polarity of the power supply voltage.

Rated impulse voltage: 4 KV.

Overvoltage category: III.

Class and structure of software: A.

Real time clock: incorporated (with lithium primary battery).

Battery range in absence of power supply: 5 years @ 25 °C (77 °F).

Drift: ≤ 30 s/month @ 25 °C (77 °F).

Analog inputs: 5 inputs:

- 3 which can be set via configuration parameter for PTC, NTC, Pt 1000 or Ni 1000 probes
- 3 which can be set via configuration parameter for PTC, NTC, Pt 1000, Ni 1000 probes, 0-20 mA, 4-20 mA, 0-5 V ratiometric or 0-10 V transducers

Power supply 0-5 V ratiometric transducers: 5 VDC (+0 %, -12 %), 60 mA max.

Power supply 0-20 mA, 4-20 mA and 0-10 V transducers: 12 VDC (±10 %), 120 mA max.

The maximum current which can be supplied on the whole from the two power supply is 120 mA.

PTC analog inputs (990 Ω @ 25 °C, 77 °F)

Kind of sensor: KTY 81-121.
Working range: from -50 to 150 °C (from -58 to 302 °F).

Accuracy: ±0.5 % of the full scale.

Resolution: 0.1 °C.

Conversion time: 100 ms.

Protection: none.

NTC analog inputs (10 KΩ @ 25 °C, 77 °F)

Kind of sensor: B3435.
Working range: from -40 to 120 °C (from -58 to 248 °F).

Accuracy: - ±0.5 % of the full scale

from -40 to 100 °C

- ±1 °C from -50 to -40 °C

and from 100 to 120 °C.

Resolution: 0.1 °C.

Conversion time: 100 ms.

Protection: none.

NTC analog inputs (10 KΩ @ 25 °C, 77 °F)

Kind of sensor: NTC type 2.
Working range: from -40 to 86 °C (from -40 to 186 °F).

Accuracy: ±1 °C.

Resolution: 0.1 °C.

Conversion time: 100 ms.

Protection: none.

NTC analog inputs (10 KΩ @ 25 °C, 77 °F)

Kind of sensor: NTC type 3.
Working range: from -40 to 86 °C (from -40 to 186 °F).

Accuracy: ±1 °C.

Resolution: 0.1 °C.

Conversion time: 100 ms.

Protection: none.

Pt 1000 analog inputs (1 KΩ @ 0 °C, 32 °F)

Working range: from -100 to 400 °C (from -148 to 752 °F).

Accuracy: - ±0.5 % of the full scale

from -100 to 200 °C

- ±2 °C from 200 to -400 °C.

Resolution: 0.1 °C.

Conversion time: 100 ms.

Protection: none.

Ni 1000 analog inputs (1 KΩ @ 0 °C, 32 °F)

Working range: from -50 to 260 °C (from -58 to 500 °F).

Accuracy: - ±0.5 % of the full scale

from -50 to 250 °C.

Resolution: 0.1 °C.

Conversion time: 100 ms.

Protection: none.

0-20 mA and 4-20 mA analog inputs

Input resistance: ≤ 200 Ω.

Accuracy: ±0.5 % of the full scale.

Resolution: 0.01 mA.

Conversion time: 100 ms.

Protection: none; the maximum current allowed on each input is 25 mA.

0-5 V ratiometric and 0-10 V analog inputs

Input resistance: ≥ 10 KΩ.

Accuracy: ±0.5 % of the full scale.

Resolution: 0.01 V.

Conversion time: 100 ms.

Protection: none.

Digital inputs: 5 inputs:

- 2 at 24 VAC/DC, 50/60 Hz or 2 KHz optoisolated
- 3 at 24 VAC/DC, 50/60 Hz.

24 VAC/DC, 50/60 Hz digital inputs

Power supply: - 24 VAC (±15 %), 50/60 Hz (±3 Hz)

- 24 VDC (+66 %, -16 %).

Input resistance: ≥ 10 KΩ.

Protection: none.

24 VAC/DC, 2 KHz digital inputs

Power supply: - 24 VAC (±15 %), 50/60 Hz (±3 Hz)

- 24 VDC (+66 %, -16 %).

Input resistance: ≥ 10 KΩ.

Protection: none.

Analog outputs: 3 outputs:

- 2 which can be set via configuration parameter for PWM or 0-10 V
- 1 which can be set via configuration parameter for 0-20 mA, 4-20 mA or 0-10 V.

PWM analog outputs

Power supply: 10 VDC (+16 %, -25 %), 10 mA max.

Frequency: 0... 2 KHz.

Duty: 0... 100 %.

Protection: none.

0-20 mA and 4-20 mA analog outputs

Input resistance: 40... 300 Ω.

Accuracy: ±3 % of the full scale.

Resolution: 0.05 mA.

Conversion time: 1 s.

Protection: none.

0-10 V analog outputs

Input resistance: 1 KΩ.

Accuracy: ±3 % of the full scale.

Resolution: - +2 %, -5 % of the full scale

for loads having impedance

from 1 to 5 KΩ

- ±2 % of the full scale for

loads having impedance

> 5 KΩ.

Digital outputs: 7 outputs:

- according to the model:

- six 3 res. A @ 250 VAC SPST electromechanical relays (K1... K6)
- two 24 VAC/DC, 600 mA max. commands for solid state relay (K1 and K2) and four 3 res. A @ 250 VAC SPST electromechanical relays (K3... K6)

- one 3 res. A @ 250 VAC SPDT electromechanical relay (K7).

The device ensures a double insulation among each connector of the digital outputs and the remaining parts of the device.

Type 1 or type 2 actions: type 1.

Additional features of type 1 or type 2 action: C.

Displays: according to the model:

- none (blind version)
- 4+4 digits custom display (built-in LED version)
- 128 x 64 pixel single colour LCD graphic display (built-in LCD version).

Communication ports: 5 ports:

- 1 RS-485 port with MODBUS slave communication protocol
- 1 RS-485 port with MODBUS master/slave, BACnet MS/TP communication protocol
- 1 CAN port with CANBUS communication protocol
- 1 USB port
- 1 Ethernet port with MODBUS TCP, Web Server, BACnet IP communication protocol.

The BACnet communication protocol is in alternative to the Web Server functionality.

The actual version implements a BACnet® standardized device profile B-ASC, which doesn't require the managing of Scheduler and Calendar objects, instead required for the B-AAC profile.

RDT921F901 - Controllori configurabili

ITALIANO

IMPORTANTE

Leggere attentamente questo documento prima dell'installazione e prima dell'uso del dispositivo e seguire tutte le avvertenze; conservare questo documento con il dispositivo per consultazioni future.

Per ulteriori informazioni consultare il manuale hardware.

Il dispositivo deve essere smaltito secondo le normative locali in merito alla raccolta delle apparecchiature elettriche ed elettroniche.

1 INTRODUZIONE

1.1 Introduzione

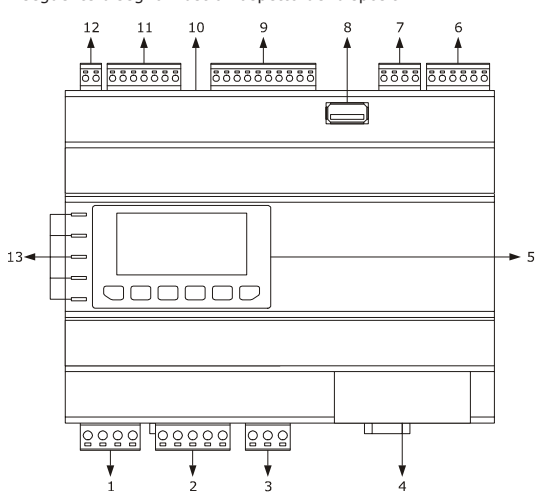
RDT900 è una gamma di controllori configurabili per applicazioni appartenenti al settore della refrigerazione e dell'aria condizionata. I controllori dispongono di un considerevole numero di ingressi e di uscite; consentono di realizzare una rete flessibile, modulare ed espandibile di dispositivi di controllo. La varietà di porte di comunicazione disponibili (di tipo RS-485, CAN, USB ed Ethernet) e di protocolli di comunicazione supportati favoriscono l'integrazione dei dispositivi in sistemi.

Per informazioni relative all'utilizzo del protocollo di comunicazione BACnet consultare il PICS. L'attuale versione implementa un profilo di dispositivo standard BACnet® B-ASC, che non prevede la gestione degli oggetti Scheduler e Calendar, previsti invece nel profilo B-AAC.

2 DESCRIZIONE

2.1 Descrizione

Il seguente disegno illustra l'aspetto dei dispositivi.



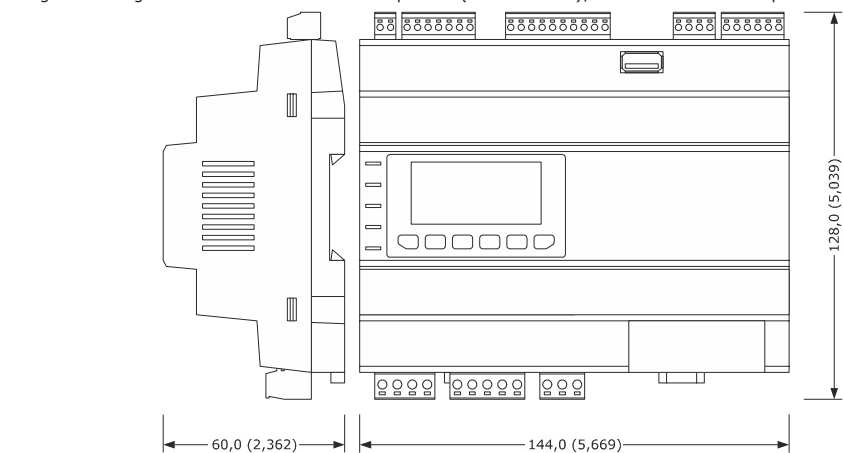
La seguente tabella illustra il significato delle parti dei dispositivi.

Parte	Significato
1	uscite digitali K1 e K2
2	uscite digitali K3, K4, K5 e K6
3	uscita digitale K7
4	porta Ethernet MODBUS TCP, Web Server
5	visualizzatore e tastiera (non disponibile nelle versioni cieche)
6	ingressi digitali
7	uscite analogiche
8	porta USB
9	ingressi analogici
10	micro switch per l'inserimento della terminazione della porta CAN CANBUS, della porta RS-485 MODBUS master/slave e della porta RS-485 MODBUS slave
11	porte RS-485 MODBUS slave, RS-485 MODBUS master/slave e CAN CANBUS
12	alimentazione
13	LED di segnalazione

3 DIMENSIONI E INSTALLAZIONE

3.1 Dimensioni

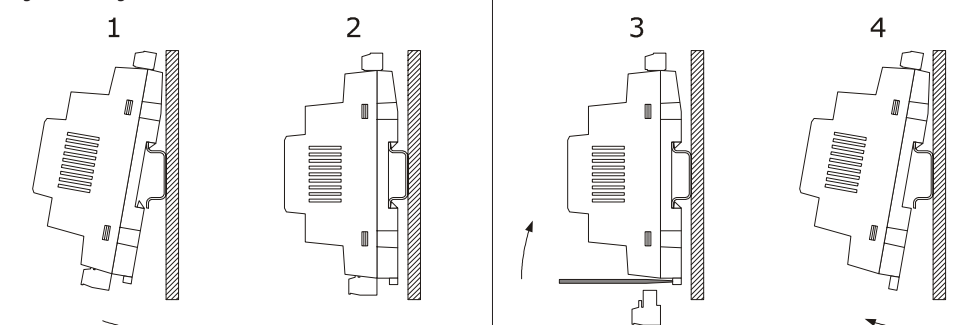
Il seguente disegno illustra le dimensioni dei dispositivi (8 moduli DIN); le dimensioni sono espresse in mm (in).



3.2 Installazione

L'installazione è prevista su guida DIN 35,0 x 7,5 mm (1,377 x 0,295 in) o 35,0 x 15,0 mm (1,377 x 0,590 in), in un quadro di controllo.

Per installare i dispositivi operare nel modo indicato nel seguente disegno.



Per rimuovere i dispositivi rimuovere prima eventuali morsettiere estraibili a vite inserite nella parte bassa, quindi operare sulla clip per la guida DIN con un cacciavite nel modo indicato nel seguente disegno.

Per installare nuovamente i dispositivi premere prima a fondo la clip della guida DIN.

3.3 Avvertenze per l'installazione

accertarsi che le condizioni di lavoro del dispositivo (temperatura di impiego, umidità di impiego, ecc.) rientrino nei limiti riportati; si veda il capitolo "DATI TECNICI"

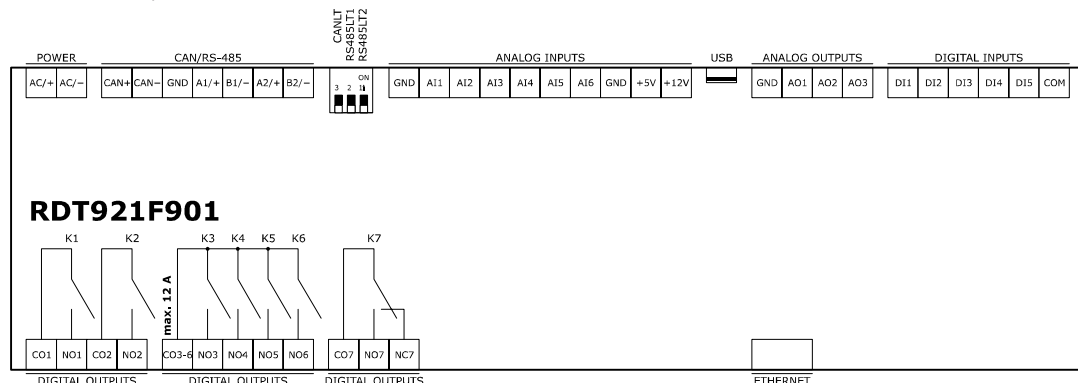
non installare il dispositivo in prossimità di fonti di calore (resistenze, condotti dell'aria calda, ecc.), di apparecchi con forti magneti (grossi diffusori, ecc.), di luoghi soggetti alla luce solare diretta, pioggia, umidità, polvere eccessiva, vibrazioni meccaniche o scosse

in conformità alle normative sulla sicurezza, la protezione contro eventuali contatti con le parti elettriche deve essere assicurata mediante una corretta installazione del dispositivo; tutte le parti che assicurano la protezione devono essere fissate in modo tale da non poter essere rimosse senza l'aiuto di un utensile.

4 COLLEGAMENTO ELETTRICO

4.1 Connettori

Il seguente disegno illustra i connettori dei dispositivi.



4.1 Significato dei connettori

Le seguenti tabelle illustrano il significato dei connettori dei dispositivi.

Per ulteriori informazioni si veda il capitolo "DATI TECNICI".

POWER

Alimentazione dispositivo (24 VAC/DC non isolata). Se il dispositivo viene alimentato in corrente continua, sarà necessario rispettare la polarità della tensione di alimentazione.

Se il dispositivo è collegato a una rete di dispositivi, sarà necessario che:

- le alimentazioni dei dispositivi che compongono la rete siano tra loro galvanicamente isolate
- la fase che alimenta il dispositivo sia la stessa che alimenta tutti i dispositivi che compongono la rete.

Parte	Significato
AC/+	alimentazione dispositivo: - se il dispositivo viene alimentato in corrente alternata, collegare la fase - se il dispositivo viene alimentato in corrente continua, collegare il polo positivo
AC/-	alimentazione dispositivo: - se il dispositivo viene alimentato in corrente alternata, collegare il neutro - se il dispositivo viene alimentato in corrente continua, collegare il polo negativo

ANALOG INPUTS

Ingressi analogici.

Parte	Significato
GND	massa ingressi analogici
AI1	ingresso analogico 1, impostabile via parametro di configurazione per sonde PTC, NTC, Pt 1000, Ni 1000, trasduttori 0-20 mA, 4-20 mA, 0-5 V raziometrici o 0-10 V
AI2	ingresso analogico 2, impostabile via parametro di configurazione per sonde PTC, NTC, Pt 1000, Ni 1000, trasduttori 0-20 mA, 4-20 mA, 0-5 V raziometrici o 0-10 V
AI3	ingresso analogico 3, impostabile via parametro di configurazione per sonde PTC, NTC, Pt 1000, Ni 1000, trasduttori 0-20 mA, 4-20 mA, 0-5 V raziometrici o 0-10 V
AI4	ingresso analogico 4, impostabile via parametro di configuraz. per sonde PTC, NTC, Pt 1000 o Ni 1000
AI5	ingresso analogico 5, impostabile via parametro di configuraz. per sonde PTC, NTC, Pt 1000 o Ni 1000
AI6	ingresso analogico 6, impostabile via parametro di configuraz. per sonde PTC, NTC, Pt 1000 o Ni 1000
GND	massa ingressi analogici
+5V	alimentazione trasduttori raziometrici 0-5 V (5 VDC)
VS	alimentazione trasduttori 0-20 mA, 4-20 mA e 0-10 V (12 VDC)

DIGITAL INPUTS

Ingressi digitali.

Parte	Significato
DI1	ingresso digitale 1 (24 VAC/DC, 50/60 Hz o 2 KHz optoisolato)
DI2	ingresso digitale 2 (24 VAC/DC, 50/60 Hz o 2 KHz optoisolato)

Parte	Significato
DI3	ingresso digitale 3 (24 VAC/DC, 50/60 Hz optoisolato)
DI4	ingresso digitale 4 (24 VAC/DC, 50/60 Hz optoisolato)
DI5	ingresso digitale 5 (24 VAC/DC, 50/60 Hz optoisolato)
COM	comune ingressi digitali

ANALOG OUTPUTS

Uscite analogiche.

Parte	Significato
GND	massa uscite analogiche
AO1	uscita analogica 1, impostabile via parametro di configurazione per PWM o 0-10 V
AO2	uscita analogica 2, impostabile via parametro di configurazione per PWM o 0-10 V
AO3	uscita analogica 3, impostabile via parametro di configurazione per 0-20 mA, 4-20 mA o 0-10 V

DIGITAL OUTPUTS

Uscite digitali.

Parte	Significato
CO1	comune uscita digitale 1
NO1	contatto normalmente aperto uscita digitale 1 a seconda del modello: - relè elettromeccanico da 3 A res. @ 250 VAC - comando per relè allo stato solido da 24 VAC/DC, 600 mA max
CO2	comune uscita digitale 2
NO2	contatto normalmente aperto uscita digitale 2 a seconda del modello: - relè elettromeccanico da 3 A res. @ 250 VAC - comando per relè allo stato solido da 24 VAC/DC, 600 mA max
CO3-6	comune uscite digitali 3... 6
NO3	contatto normalmente aperto uscita digitale 3 (relè elettromeccanico da 3 A res. @ 250 VAC)
NO4	contatto normalmente aperto uscita digitale 4 (relè elettromeccanico da 3 A res. @ 250 VAC)
NO5	contatto normalmente aperto uscita digitale 5 (relè elettromeccanico da 3 A res. @ 250 VAC)
NO6	contatto normalmente aperto uscita digitale 6 (relè elettromeccanico da 3 A res. @ 250 VAC)
CO7	comune uscita digitale 7
NO7	contatto normalmente aperto uscita digitale 7 (relè elettromeccanico da 3 A res. @ 250 VAC)
NC7	contatto normalmente chiuso uscita digitale 7

CAN/RS-485

Porte RS-485 MODBUS slave, RS-485 MODBUS master/slave e CAN CANBUS.

Parte	Significato
CAN+	polo positivo porta CAN CANBUS
CAN-	polo negativo porta CAN CANBUS
GND	massa porte RS-485 MODBUS slave, RS-485 MODBUS master/slave e CAN CANBUS
A1/+	polo positivo porta RS-485 MODBUS master/slave
B1/-	polo negativo porta RS-485 MODBUS master/slave
A2/+	polo positivo porta RS-485 MODBUS slave
B2/-	polo negativo porta RS-485 MODBUS slave

USB

USB port.

ETHERNET

Porta Ethernet MODBUS TCP, Web Server.

4.3 Inserimento della resistenza di terminazione della porta CAN CANBUS

Per inserire la resistenza di terminazione della porta CAN CANBUS, posizionare il microinterruttore 3 nella posizione ON.



4.4 Inserimento della resistenza di terminazione della porta RS-485 MODBUS master/slave

Per inserire la resistenza di terminazione della porta RS-485 MODBUS master/slave, posizionare il microinterruttore 2 nella posizione ON.



4.5 Inserimento della resistenza di terminazione della porta RS-485 MODBUS slave

Per inserire la resistenza di terminazione della porta RS-485 MODBUS slave, posizionare il microinterruttore 1 nella posizione ON.



4.6 Polarizzazione della porta RS-485 MODBUS master/slave

I dispositivi sono in grado di polarizzare la porta RS-485 MODBUS master/slave; la polarizzazione può essere imposta via parametro di configurazione.

4.7 Polarizzazione della porta RS-485 MODBUS slave

I dispositivi non sono in grado di polarizzare la porta RS-485 MODBUS slave; la polarizzazione deve essere eseguita da un altro dispositivo.

4.8 Avvertenze per il collegamento elettrico

- non operare sulle morsettiere del dispositivo utilizzando avvitatori elettrici o pneumatici
- se il dispositivo è stato portato da un luogo freddo a uno caldo, l'umidità potrebbe condensare all'interno; attendere circa un'ora prima di alimentarlo
- accertarsi che la tensione di alimentazione, la frequenza elettrica e la potenza elettrica del dispositivo corrispondano a quelle dell'alimentazione locale; si veda il capitolo "DATI TECNICI"
- scollegare l'alimentazione del dispositivo prima di procedere con qualunque tipo di manutenzione
- collegare il dispositivo a una rete RS-485 di dispositivi utilizzando un doppino twistato
- collegare il dispositivo a una rete CAN di dispositivi utilizzando un doppino twistato
- collocare i cavi di potenza il più lontano possibile da quelli di segnale
- non utilizzare il dispositivo come dispositivo di sicurezza per le riparazioni e per informazioni riguardanti il dispositivo rivolgersi alla rete vendita Sauter.

5 SEGNALEZIONI E INDICAZIONI

5.1 Segnalazioni

LED	Significato
ON	LED alimentazione se è acceso, il dispositivo sarà alimentato se è spento, il dispositivo non sarà alimentato
RUN	LED run se è acceso, il software applicativo sarà compilato e in esecuzione in modalità <i>release</i> se lampeggia lentamente, il software applicativo sarà compilato e in esecuzione in modalità <i>debug</i> se lampeggia velocemente, il software applicativo sarà compilato, in esecuzione in modalità <i>debug</i> e fermo in un breakpoint se è spento: - il dispositivo non sarà compatibile con il software applicativo - il dispositivo non sarà abilitato per funzionare con le <i>Special ABL</i> (Application Block Libraries)

LED allarme di sistema
se è acceso, sarà in corso un allarme di sistema non resettabile via software applicativo
se lampeggia lentamente, sarà in corso un allarme di sistema con reset automatico
se lampeggia molto lentamente, sarà in corso un accesso alla memoria FLASH esterna
se lampeggia velocemente, sarà in corso un allarme di sistema con reset manuale
se è spento, non sarà in corso alcun allarme di sistema

LED comunicazione CAN CANBUS
se è acceso, il dispositivo sarà configurato per comunicare via CAN CANBUS con un altro dispositivo ma la comunicazione non sarà stata stabilita
se lampeggia lentamente, la comunicazione CAN CANBUS sarà stata stabilita ma questa non sarà del tutto corretta
se lampeggia velocemente, la comunicazione CAN CANBUS sarà stata stabilita e sarà corretta
se è spento, non sarà in corso alcuna comunicazione CAN CANBUS

LED ausiliario

6 DATI TECNICI

6.1 Dati tecnici

Scopo del dispositivo di comando: dispositivo di comando di funzionamento.

Costruzione del dispositivo di comando: dispositivo elettronico incorporato.

Contenitore: autoestinguente grigio.

Categoria di resistenza al calore e al fuoco: D.
Dimensioni: 144,0 x 128,0 x 60,0 mm (5,669 x 5,039 x 2,362 in; L x H x P); 8 moduli DIN.

Le dimensioni fanno riferimento al dispositivo con tutte le morsettiere estraibili a vite correttamente inserite.

Metodo di montaggio del dispositivo di comando: su guida DIN 35,0 x 7,5 mm (1,377 x 0,295 in) o 35,0 x 15,0 mm (1,377 x 0,590 in), in un quadro di controllo.

Grado di protezione:

- IP20 complessivamente
- IP40 il frontale.

Connessioni:

- morsettiere estraibili a vite solo maschio passo 3,5 mm (0,137 in) per conduttori fino a 1,5 mm² (0,0028 in²): alimentazione, ingressi analogici, ingressi digitali, uscite analogiche e porte RS-485 MODBUS slave, RS-485 MODBUS master/slave e CAN CANBUS
- morsettiere estraibili a vite solo maschio passo 5 mm (0,196 in) per conduttori fino a 2,5 mm² (0,0038 in²): uscite digitali
- connettore USB tipo A: porta USB
- connettore telefonico RJ45 F: porta Ethernet MODBUS TCP, Web Server.

Le lunghezze massime dei cavi di collegamento sono le seguenti:

- alimentazione: 100 m (328 ft)
- ingressi analogici: 100 m (328 ft)
- alimentazione trasduttori: 100 m (328 ft)
- ingressi digitali: 100 m (328 ft)
- uscite analogiche PWM: 1 m (3,280 ft)
- uscite analogiche 0-20 mA, 4-20 mA e 0-10 V: 100 m (328 ft)
- uscite digitali (relè elettromeccanici): 100 m (328 ft)
- uscite digitali (comando per relè allo stato solido): 100 m (328 ft)

- porte RS-485 MODBUS slave e RS-485 MODBUS master/slave: 1.000 m (3.280 ft); si veda anche il manuale MODBUS specifications and implementation guides disponibile su <http://www.modbus.org/specs.php>
- porta CAN CANBUS:
 - 1.000 m (3.280 ft) con baud rate 20.000 baud
 - 500 m (1.640 ft) con baud rate 50.000 baud
 - 250 m (820 ft) con baud rate 125.000 baud
 - 50 m (164 ft) con baud rate 500.000 baud

per impostazione di fabbrica il dispositivo riconosce automaticamente la baud rate degli altri elementi della rete, a condizione che questa sia una di quelle elencate in precedenza; in seguito impostare manualmente la baud rate allo stesso valore di quella degli altri elementi

porta USB: 1 m (3,280 ft).
Per cablare il dispositivo si consiglia di utilizzare il kit di collegamento CJAV31 (da ordinare separatamente): morsettiere estraibili a vite solo femmina passo 3,5 mm (0,137 in) per conduttori fino a 1,5 mm² (0,0028 in²) e morsettiere estraibili a vite solo femmina passo 5 mm (0,196 in) per conduttori fino a 2,5 mm² (0,0038 in²).

Per programmare il dispositivo si consiglia di utilizzare i cavi di connessione 0810500018 o 0810500020 (da ordinare separatamente): il cavo 0810500018 è lungo 2,0 m (6,561 ft), il cavo 0810500020 è lungo 0,5 m (1,640 ft).

Temperatura di impiego:
- da -10 a 55 °C (da 14 a 131 °F) per le versioni built-in

- da -20 a 55 °C (da -4 a 131 °F) per le versioni cieche.

Temperatura di immagazzinamento: da -25 a 70 °C (da -13 a 158 °F).

Umidità di impiego: dal 10 al 90 % di umidità relativa senza condensa.

Situazione di inquinamento del dispositivo di comando: 2.

Conformità ambientale:

- RoHS 2011/65/CE
- WEEE 2012/19/EU
- regolamento REACH (CE) n. 1907/2006.

Conformità EMC:

- EN 60730-1
- IEC 60730-1.

Alimentazione:

- 24 VAC, 50/60 Hz (±3 Hz), 20 VA max. non isolata
- 20... 40 VDC, 12 W max. non isolata

fornita da un circuito classe 2.

Proteggere l'alimentazione con un fusibile da 2 A-T 250 V.

Se il dispositivo viene alimentato in corrente continua, sarà necessario rispettare la polarità della tensione di alimentazione.

Tensione impulsiva nominale: 4 KV.

Categoria di sovratensione: III.

Classe e struttura del software: A.

Orologio: incorporato (con batteria primaria al litio).

Autonomia della batteria in mancanza dell'alimentazione: 5 anni a 25 °C (77 °F).

Deriva: ≤ 30 s/mese a 25 °C (77 °F).

Ingressi analogici: 5 ingressi:

- 3 impostabili via parametro di configurazione per sonde PTC, NTC, Pt 1000 o Ni 1000

- 3 impostabili via parametro di configurazione per sonde PTC, NTC, Pt 1000, Ni 1000, trasduttori 0-20 mA, 4-20 mA, 0-5 V raziometrici o 0-10 V.

Alimentazione trasduttori raziometrici 0-5 V: 5 VDC (+0 %, -12 %), 60 mA max.

Alimentazione trasduttori 0-20 mA, 4-20 mA e 0-10 V: 12 VDC (±10 %), 120 mA max.

La massima corrente erogabile complessivamente dalle due alimentazioni è 120 mA.

Ingressi analogici PTC (990 Ω @ 25 °C, 77 °F)

Tipo di sensore: KTY 81-121.

Campo di misura: da -50 a 150 °C (da -58 a 302 °F).

Precisione: ±0,5 % del fondo scala.

Risoluzione: 0,1 °C.

Tempo di conversione: 100 ms.

Protezione: nessuna.

Ingressi analogici NTC (10 KΩ @ 25 °C, 77 °F)

Tipo di sensore: B3435.

Campo di misura: da -50 a 120 °C (da -58 a 248 °F).

Precisione: - ±0,5 % del fondo scala da -40 a 100 °C

- ±1 °C da -50 a -40 °C e da 100 a 120 °C.

Risoluzione: 0,1 °C.

Tempo di conversione: 100 ms.

Protezione: nessuna.

Ingressi analogici NTC (10 KΩ @ 25 °C, 77 °F)

Tipo di sensore: NTC tipo 2.

Campo di misura: da -40 a 86 °C (da -40 a 186 °F).

Precisione: ±1 °C.

Risoluzione: 0,1 °C.

Tempo di conversione: 100 ms.

Protezione: nessuna.

Ingressi analogici Pt 1000 (1 KΩ @ 0 °C, 32 °F)

Tipo di sensore: NTC tipo 3.

Campo di misura: da -40 a 86 °C (da -40 a 186 °F).

Precisione: ±1 °C.

Risoluzione: 0,1 °C.

Tempo di conversione: 100 ms.

Protezione: nessuna.

Ingressi analogici Ni 1000 (1 KΩ @ 0 °C, 32 °F)

Campo di misura: da -50 a 260 °C (da -58 a 500 °F).

Precisione: - ±0,5 % del fondo scala da -50 a 250 °C.

Risoluzione: 0,1 °C.

Tempo di conversione: 100 ms.

Protezione: nessuna.

Ingressi analogici 0-20 mA e 4-20 mA

Resistenza di ingresso: ≤ 200 Ω.

Precisione: ±0,5 % del fondo scala.

Risoluzione: 0,01 mA.

Tempo di conversione: 100 ms.

Protezione: nessuna; la massima corrente consentita su ciascun ingresso è 25 mA.

Ingressi analogici 0-5 V raziometrici e 0-10 V

Resistenza di ingresso: ≥ 10K Ω.

Precisione: ±0,5 % del fondo scala.

Risoluzione: 0,01 V.

Tempo di conversione: 100 ms.

Protezione: nessuna.

Ingressi digitali: 5 ingressi:

- 2 a 24 VAC/DC, 50/60 Hz/2 KHz optoisolati
- 3 a 24 VAC/DC, 50/60 Hz optoisolati.

Ingressi digitali a 24 VAC/DC, 50/60 Hz

Alimentazione: - 24 VAC (±15 %), 50/60 Hz (±3 Hz)

- 24 VDC (+66 %, -16 %).

Resistenza di ingresso: ≥ 10K Ω.

Protezione: nessuna.

Ingressi digitali a 24 VAC/DC, 2 KHz

Alimentazione: - 24 VAC (±15 %), 50/60 Hz (±3 Hz)

- 24 VDC (+66 %, -16 %).

Resistenza di ingresso: ≥ 10K Ω.

Protezione: nessuna.

Uscite analogiche PWM

Alimentazione: 10 VDC (+16 %, -25 %), 10 mA max.

Frequenza: 0... 2 KHz.

Duty: 0... 100 %.

Protezione: nessuna.

Uscite analogiche 0-20 mA e 4-20 mA

Resistenza di ingresso: 40... 300 Ω.

Precisione: ±3 % del fondo scala.

Risoluzione: 0,05 mA.

Tempo di conversione: 1 s.

Protezione: nessuna.

Uscite analogiche 0-10 V

Resistenza di ingresso: 1 KΩ.

Precisione: ±3 % del fondo scala.

Risoluzione: - +2 %, -5 % del fondo scala per utenze con impedenza da 1 a 5 KΩ

- ±2 % del fondo scala per utenze con impedenza > 5 KΩ.

Uscite digitali: 7 uscite:

- a seconda del modello:

- 6 relè elettromeccanici SPST da 3 A res. @ 250 VAC (K1... K6)

- 2 comandi per relè allo stato solido da 24 VAC/DC, 600 mA max (K1 e K2) e 4 relè elettromeccanici SPST da 3 A res. @ 250 VAC (K3... K6)

- 1 relè elettromeccanico SPDT da 3 A res. @ 250 VAC (K7).

Il dispositivo garantisce un doppio isolamento tra ciascun connettore delle uscite digitali e le rimanenti parti del dispositivo stesso.

Azioni di Tipo 1 o di Tipo 2: tipo 1.

Caratteristiche complementari delle azioni di Tipo 1 o di Tipo 2: C.

Visualizzazioni: a seconda del modello:

- nessuna (versione cieca)
- display custom da 4+4 digit (versione built-in LED)
- visualizzatore grafico LCD monocoloro da 128 x 64 pixel (versione built-in LCD).

Porte di comunicazione: 5 porte:

- 1 porta RS-485 con protocollo di comunicazione MODBUS slave

- 1 porta RS-485 con protocollo di comunicazione MODBUS master/slave, BACnet MS/TP

- 1 porta CAN con protocollo di comunicazione CANBUS

- 1 porta USB

- 1 porta Ethernet con protocollo di comunicazione MODBUS TCP, Web Server, BACnet IP.

Il protocollo di comunicazione BACnet è in alternativa alla funzionalità Web Server.

L'attuale versione implementa un profilo di dispositivo standard BACnet® B-ASC, che non prevede la gestione degli oggetti Scheduler e Calendar, previsti invece nel profilo B-AAC.