



INSTRUCTION NRT405F901



Instruction for products with software version 1.2. Read this instruction before installation and wiring of the product.

10628A
OCT 13



Consult documentation in all cases where this symbol is used, in order to find out the nature of the potential hazards and any actions to be taken

Room controller for controlling fan-coil units

NRT405F901 is a room controller intended for controlling fan-coil heaters/coolers and thermal actuators or 3-point actuators. Installation is directly on the wall or on an electrical connection box. The fan can be set to one of three speeds.

NRT405F901 has change-over function and can be used for 2-pipe or 4-pipe systems.

The controller has a function for control of an electric heater.

For integration into a system, NRT405F901 has communication via RS485 (Modbus or BACnet). The device can be configured using the application NRT tool (version 1.3-1-05 or later), which can be downloaded from the SAUTER ITALIA SPA web site (www.sauteritalia.it).

Technical data

Supply voltage	230 V AC $\pm 10\%$, 50/60 Hz
Power consumption	< 3 W
Ambient temperature	0...50°C

Ambient humidity	Max 90 % RH
Storage temperature	-20...+70°C
Built-in temperature sensor	NTC type, range 0...50°C
Inputs	Refer to connection illustrations and table below
Outputs	Relays for fan control, 230 V AC, 3 A DO4, DO5 for actuators, Triac, 230 V AC, max. 300 mA
Communication	RS485: Modbus (using automatic detection/switching) or BACnet
Modbus	8 bits, 1 or 2 stop bits. Odd, even (FI) or no parity
Communication speed	9600, 19200, 38400 bps (Modbus and BACnet) or 76800 bps (BACnet only)
Terminal blocks	Lift type for a maximum cable area 2.1 mm ²
Protection class	IP20
Pollution degree	2
Overvoltage category	3
Material casing	Polycarbonate, PC
Dimensions	102 x 120 x 29 mm

Installation

Place the controller in a location that has a temperature representative for the room. A suitable location is approx. 1.6 m above floor level in a place with unobstructed air circulation.

Depress the locking tab in the upper edge of the controller with a screwdriver. Carefully turn the screwdriver until the bottom plate and the electronics unit are slightly separated (see figure 1). Then use the cutout that becomes visible in the edge of the bottom plate to open the upper edge completely (see figure 2). Do the same thing in the lower edge of the controller.



Figure 1



Figure 2

Lift the electronics unit up from the bottom plate. The bottom plate with terminals has a number of hole combinations. Select suitable holes and fasten the bottom plate on the wall or connection box, so that the arrows on the bottom plate point upwards. Do not tighten the screws too hard!

NRT405F901

Note: NRT405F901 does not indicate fan breakdown or overheating of the heating coil. Therefore, all connections must be made externally. An overheating protection or similar can be used to disconnect the supply voltage.



Disconnection

NRT405F901 should be connected to a switch or circuit breaker in the building installation. This switch should be in close proximity to the controller and within easy reach of the operator, and should be marked as the disconnecting device for the equipment.

Always use the circuit breaker to disconnect the controller from the mains supply during maintenance of the fan-coil and actuators.

Settings

Control modes

NRT405F901 can control heating and cooling in sequence or be set to seasonal switching between heating and cooling (change-over, see below).

Change-over function

NRT405F901 has an input for change-over that automatically resets the output DO4 to operate with heating or cooling function. When the controller is used together with a 3-position actuator, output DO5 is also affected by the change-over function in accordance with the above. A sensor of type PT1000 can be connected to the input and be mounted so that it senses the temperature on the supply pipe to the coil.

When the temperature exceeds 28°C, the output function is set to heating and when the temperature drops below 16°C, the output is set to cooling. As an alternative, a potential-free contact can be used. The input function can be set to NO/NC.

To ensure satisfactory functioning when using a sensor, the system must have continuous primary circuit circulation. When the change-over function is not used, the input must be left disconnected.

When using an electric heater and the change-over function is set to heating, the sequence of operation for NRT405F901 will be heating/heating and DO5 will be activated first.

If a change-over sensor is not connected, the sequence will be heating/heating. If cooling is to be used in the sequence, parameter 2 (change-over mode) must be changed manually.

Operating mode


There are four different operating modes. Switching between these modes is performed locally.

Comfort: is shown in the display. Heating and cooling have a smaller neutral zone NZC. An occupancy detector can be connected to the DI in order to select between Comfort and Economy. Switching

between Comfort/Economy and Off can also be done via the On/Off button. Comfort/Economy is selected via the parameter list.

Economy (Standby): "Standby" is shown in the display. The heating and cooling setpoints are freely adjustable. Factory settings: heating=15°C, cooling=30°C.

Off: The controller does not heat or cool and the fan stops (unless mould protection has been selected or the cool-down function for the electric heater is running, in which case the fan will still run).

Window:  is shown in the display, the controller is off and the fan stops (unless mould protection has been selected or the cool-down function for the electric heater is running, in which case the fan will still run). The window contact is connected to the DI and must be configured.

Occupancy detection

Parameter 3 determines if the DI is window contact input or occupancy detection input. An occupancy detector can be connected to the DI in order to switch between Comfort and Economy mode.

Setpoint

The setpoint is set using the INCREASE and DECREASE buttons. Parameter 24 determines what is shown in the display. Refer to the parameter list for details.

Setpoint limitation

In parameters 34 and 35, it is possible to set the maximum allowed setpoint increase and decrease respectively.
Example: If P35=5 and P34=3, the setpoint can be changed between 17°C and 25°C (see the picture below).
The basic setpoint can be changed in parameter 64 (factory setting=22°C).

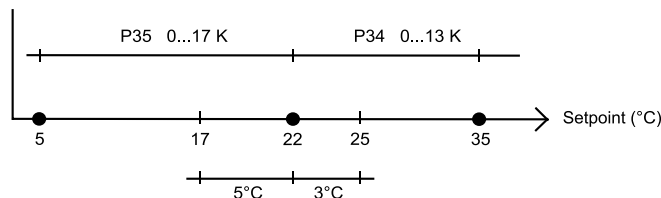


Figure 3: Example of setpoint limitation

Fan control


The fan can be controlled via NRT405F901 with the following modes: Low speed, Medium speed, High speed, Auto. The current fan speed in the Auto mode depends on the heating or cooling demand and the settings for each speed.

When using automatic control, "AUTO" is shown in the display. The number of fan speed steps can be selected via parameter 30. If the parameter is set to 1, the first fan speed step will be used for fan control. Via parameter 31, it is possible to set the fan to the lowest speed level when Auto mode is selected. If this parameter is set to 1, the fan will run in all operating modes except Off and Window (unless mould protection is active or the cool-down function for the electric heater is running, in which case the fan will run in these modes as well).
When utilising an electric heater, parameter 1 set to 4, the fan has a cool-down period of 2 minutes.

Manual control of the fan speed

By pressing the fan button, you change the fan speed according to the sequence I→II→III→AUTO. When using manual control, "MAN" is shown in the display.
If the fan has been configured not to be affected by the heating or cooling demand, "AUTO" will not be shown when pressing the fan button.

Indications

The display has the following indications:
HEAT Heating control
COOL Cooling control
 The open window symbol is shown if this function has been configured and a window is open.
OFF The controller does not heat or cool

On/Off button

By pressing the On/Off button, NRT405F901 will switch between Off mode and Comfort/Economy mode.

Function for control of an electric heater

NRT405F901 has a function for pulse/pause control of an electric heater in sequence with a water heater, similar to control of a thermal actuator. When using an electric heater, the fan will continue to run for 2 minutes after the heater has been switched off in order to cool down the heater. When using an electric heater, an external unit (e.g. a solid state relay) is to be connected between NRT405F901 and the battery.

Note: NRT405F901 does not indicate fan breakdown or overheating of the heating coil. Therefore, all connections must be made externally. An overheating protection or similar can be used to disconnect the supply voltage.

Parameter list

When the controller is in Comfort mode or Window mode, different parameter values can be set in a parameter list.
Hold the INCREASE and DECREASE buttons depressed simultaneously for about 5 seconds until the Service symbol is displayed and then press the INCREASE button twice.

First the display will show parameter 1. Use the INCREASE and DECREASE buttons to scroll between the parameters and press the On/Off button to select the desired parameter. The parameter number will then be replaced by the parameter value. The value can be changed using the INCREASE and DECREASE buttons. If a button is held depressed the value will start scrolling, first slowly and then with increasing speed.

To exit the parameter list and go back to the basic display, press the INCREASE button until "EXIT" is shown (one step before parameter 1) and press the On/Off button. You can also exit the parameter list by pressing down the INCREASE and DECREASE buttons simultaneously.

Parameters

The following parameters can be changed in the parameter list.
N° = parameter number
FS = factory setting
NO = normally open
NC = normally closed

N°	Description	FS
1	Control mode: 2=2-pipe system 3=4-pipe system 4=Electric heater	3
2	Change-over mode: 0=Heating control, 1=Cooling control, 2=Automatic change-over depending on analogue temperature sensor or digital input	2
3	Operating mode when activating digital input 1: 0=Economy mode (occupancy detector) 1=Off mode (window contact)	1
4	Mould protection: 0=Not active 1=Active (fan never stops)	0
5	Neutral zone at Comfort mode (NZC). If the neutral zone is 2 K, the heating setpoint is equal to the setpoint minus 1 and the cooling setpoint is equal to the setpoint plus 1.	1 K
6	Heating setpoint when unoccupied	15°C
7	Cooling setpoint when unoccupied	30°C
8	P-band for the room controller	4 K
9	I-time for the room controller	300 s
10	<i>Not used for this model</i>	
11	Switch off timer for Comfort mode	0 min

N°	Description	FS
12	Switch on delay for Comfort mode	0 min
13	Sensor connected to AI1: 0=Internal sensor, 1=External room sensor	0
14	Sensor connected to UI1: 0=None, 1=Change-over digital, 2=Change-over analogue	0
15	Type of digital actuator: 0=Thermal, 1=3-point	0
16-17	<i>Not used for this model</i>	
18	Period time for heating actuator with thermal actuator	480 s
19	Period time for cooling actuator with thermal actuator	480 s
20	Runtime for heating actuator with increase/decrease actuator	120 s
21	Runtime for cooling actuator with increase/decrease actuator	120 s
22	Time in hours between exercise of heating actuator	23
23	Time in hours between exercise of cooling actuator	23
24	Setpoint or actual value shown in the display: 0=Actual, setpoint when changing the setpoint, 1=Actual, setpoint adjustment when changing the setpoint, 2=Setpoint, 3=Only the setpoint adjustment	2
25	Configuration of fan control: 0=No control, 1=The fan is controlled by heating requirement, 2=The fan is controlled by cooling requirement, 3=The fan is controlled by heating and cooling requirement When using an electric heater, this parameter should only be set to 1 or 3, or the heater may be overheated.	3
26	Start signal in % of the controller output, heating or cooling, for fan speed 1	20 (5 when using an electric heater)
27	Start signal in % of the controller output, heating or cooling, for fan speed 2	60

N°	Description	FS
28	Start signal in % of the controller output, heating or cooling, for fan speed 3	100
29	Hysteresis for start/stop of fans in % of the controller output.	5
30	Number of fan speeds	3
31	Fan speed in the Auto mode: 0=The fan speed follows the cooling/heating output, 1=The fan speed is minimum limited to the lowest speed	0
32	Temperature compensation on AI1	0 K
33	Temperature compensation for the internal room sensor	0 K
34	Highest permitted setpoint offset upwards. Settable value=0...13 K. Starting point=22°C.	3 K
35	Highest permitted setpoint offset downwards. Settable value=0...17 K. Starting point=22°C.	3 K
36	NO/NC digital input 1: 0=NO, 1=NC	1
37	NO/NC universal input 1: 0=NO, 1=NC	0
38	NO/NC digital output 4: 0=NO, 1=NC	1
39	NO/NC digital output 5: 0=NO, 1=NC	1
40	Manual/Auto heating output signal: 0=Off, 1=Manual, 2=Auto	2
41	Manual/Auto cooling output signal: 0=Off, 1=Manual, 2=Auto	2
42	Heating output signal in manual mode	0
43	Cooling output signal in manual mode	0
44	Model	-
45	Version Major	-
46	Version Minor	-
47	Released or beta version	-
48	Revision	-
49	Display backlight low	10
50	Display backlight high	30
51	PLA address	-
52	ELA address	-

N°	Description	FS
53	Modbus address	254
54	Modbus communication parity bit: 0=No parity, 1=Odd parity, 2=Even parity	2
55	Modbus timeout for character (t1.5) in ms. Should be 1.5 times a character, i.e. at least 2 ms.	2 ms
56	Modbus answer delay (t3.5) in ms. Should be 3.5 times a character, i.e. at least 5 ms.	5 ms
57	Communication protocol: 0=Modbus, 1=BACnet MS/TP	0
58	BACnet MS/TP MAC address 0-127=master address, 128-254=slave address	-
59	The 4 low numbers in the BACnet device ID, 0-9999	-
60	The 3 high numbers in the BACnet device ID	-
61	BACnet MS/TP Max. master	127
62	Communication protocol speed: 0=9600 bps, 1=19200 bps, 2=38400 bps, 3=76800 bps (alternative 3 only applies to BACnet)	0
63	Resets communication parameters (not addresses) to their factory settings: 1=Factory settings (Modbus@9600)	0
64	Basic setpoint. Settable value=5...50°C.	22°C

Wiring

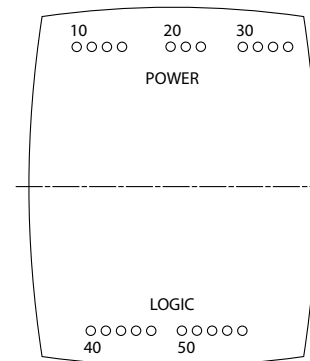


Figure 4: Bottom plate connections

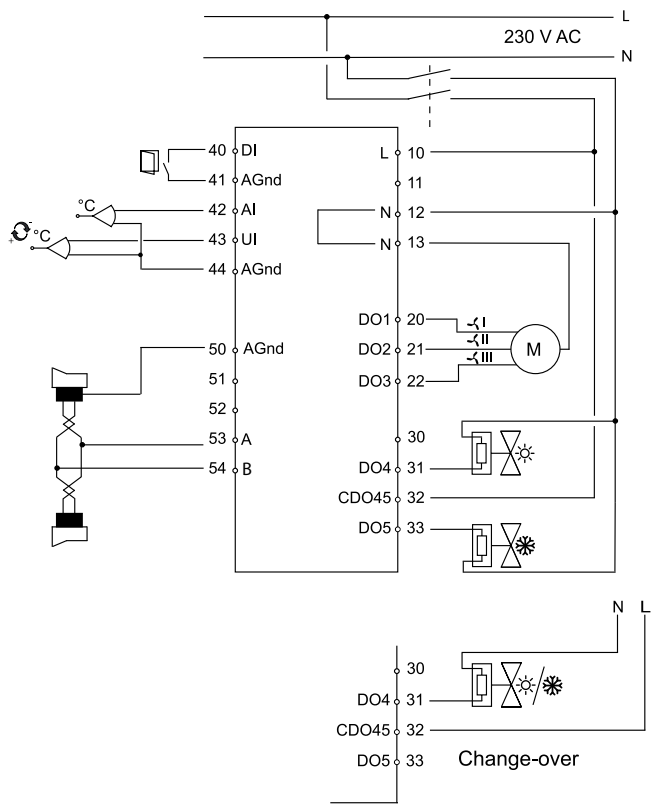


Figure 5: Connection diagram

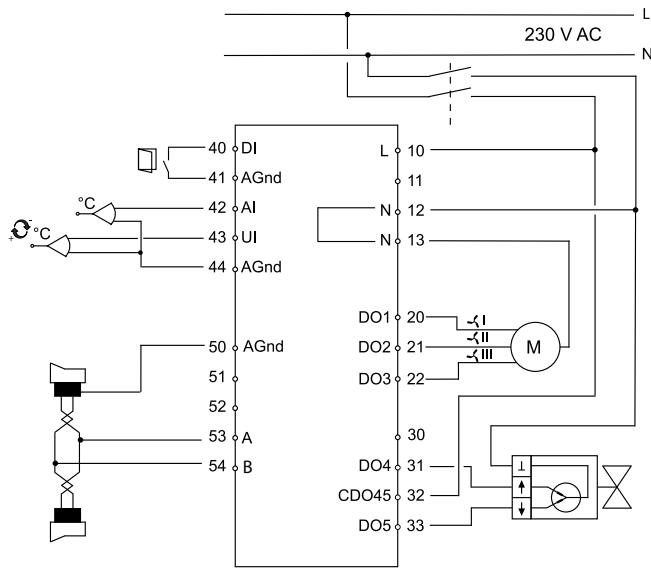


Figure 6: Connection diagram

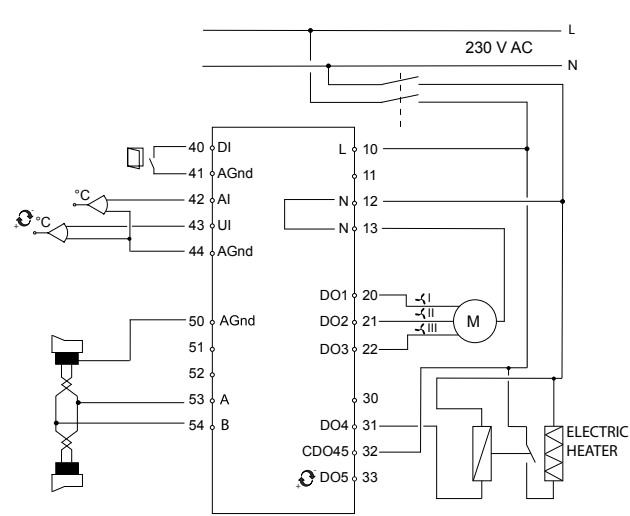


Figure 7: Connection diagram with electric heater

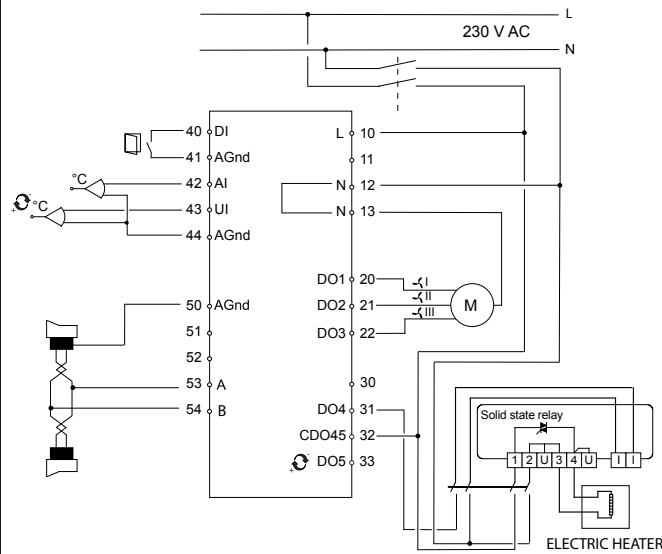


Figure 8: Connection diagram with a solid state relay for electric heater

Connection of different actuators

When connecting thermal actuators, DO4 is used for heating actuators and DO5 for cooling actuators. If the installation is a 2-pipe installation and the change-over function is used, the actuator should be connected to DO4.

When connecting 3-point actuators, DO4 is used for increase signal and DO5 for decrease signal, even when the change-over function is used.

10	L	230 V AC Line	Power supply
11	-	Not connected	
12	N	230 V AC Neutral	Power supply (internally connected to terminal 13)
13	N	Fan-coil common / 230 V AC Neutral	Common fan-coil connector (internally connected to terminal 12)
20	DO1	Fan-coil output 1 for fan control	Relay, 230 V AC*, 3 A
21	DO2	Fan-coil output 2 for fan control	Relay, 230 V AC*, 3 A
22	DO3	Fan-coil output 3 for fan control	Relay, 230 V AC*, 3 A
30	-	Not connected	
31	DO4	Digital output 4 for heating/cooling or opening with 3-point actuator	Digital output. 230 V AC, max 300 mA. Max 2 A during 20 ms.
32	CDO45	Common DO4 & 5	Common connection for digital outputs 4 and 5
33	DO5	Digital output 5 for cooling or closing with 3-point actuator. Heating/cooling when electrical heater is configured	Digital output. 230 V AC, max 300 mA. Max 2 A during 20 ms.
40	DI	Digital input	Potential-free window contact or occupancy contact. Configurable for NO/NC.
41	Agnd	Analogue ground	
42	AI	Analogue input	External PT1000 instead of the internal NTC
43	UI	Universal input	Change-over input. Potential-free switch (configurable for NO/NC) or PT1000.
44	Agnd	Analogue ground	
50	Agnd	Analogue ground	
51	-	Not connected	
52	-	Not connected	
53	A	RS485 communication A	
54	B	RS485 communication B	

*The sum of the current through DO1-DO3 is protected by a fuse



Low Voltage Directive (LVD) standards / EMC emissions & immunity standards

This product conforms to the EMC and LVD requirements in the European harmonised standards EN 60730-1:2000 and EN 60730-2-9:2002 and carries the CE mark.

RoHS

This product conforms to the Directive 2011/65/EU of the European Parliament and of the Council.

Contact

Sauter Italia S.p.A., Via Dei Lavoratori,
131 IT-20092 Cinisello Balsamo (MI), Italia
Tel: +39 02 280 481, Fax: +39 02 280 482 80
www.sauteritalia.it



ISTRUZIONI NRT405F901



**Istruzioni per prodotti con software versione 1.2.
Prima dell'installazione e del cablaggio del prodotto,
leggere le presenti istruzioni.**



**Consultare la documentazione per tutti i casi in cui viene
utilizzato questo simbolo per individuare la natura dei
potenziali rischi e le azioni da intraprendere**

Regolatore della temperatura ambiente per il controllo di ventilconvettori

NRT405F901 è un regolatore della temperatura ambiente indicato per il controllo di refrigeratori/riscaldatori di ventilconvettori e attuatori termici o attuatori a 3 punti. Installazione direttamente a parete o su una scatola di connessione elettrica. La ventola può essere impostata su una velocità tra le tre disponibili.

NRT405F901 è dotato di una funzione di commutazione e può essere usato per sistemi a 2 o 4 tubi.

Il regolatore presenta una funzione per il controllo di un riscaldatore elettrico.

Per l'integrazione in un sistema, NRT405F901 è dotato dell'opzione di comunicazione tramite RS485 (Modbus o BACnet). Il dispositivo può essere configurato utilizzando NRT tool per applicazioni (versione 1.3-1-05 o successiva), scaricabile dal sito Web di SAUTER ITALIA SPA (www.sauteritalia.it).

Dati tecnici

Tensione di alimentazione	230 V CA $\pm 10\%$, 50/60 Hz
Consumo energetico	< 3 W
Temperatura ambiente	da 0 a 50 °C
Umidità ambiente	Max 90% UR
Temperatura di conservazione	da -20 a +70 °C
Sensore di temperatura integrato	Tipo NTC, intervallo da 0 a 50 °C
Ingressi	Fare riferimento alle illustrazioni di collegamento e alla tabella sottostante
Uscite	Relè per controllo ventola, 230 V CA, 3 A DO4, DO5 per attuatori, Triac, 230 V CA, max. 300 mA
Comunicazione	RS485: Modbus (utilizzando commutazione/rilevamento automatico) o BACnet
Modbus	8 bit, 1 o 2 bit di arresto. Parità: dispari, pari (FS) o nessuna
Velocità di comunicazione	9600, 19200, 38400 bps (Modbus e BACnet) o 76800 bps (solo BACnet)

NRT405F901

Morsettiere

Tipo a vite per area cavi massima di 2,1 mm²

Classe di protezione

IP20

Grado d'inquinamento

2

Categoria di sovratensione

3

Materiale scatola

Polycarbonato, PC

Dimensioni

102 x 120 x 29 mm

Installazione

Collocare il regolatore in un luogo che abbia una temperatura rilevante per la stanza. Una posizione idonea è circa a 1,6 m dal livello del pavimento, in un luogo con libera circolazione d'aria. Con l'aiuto di un cacciavite, abbassare la linguetta di bloccaggio collocata nel bordo superiore del regolatore. Ruotare con cautela il cacciavite finché la piastra di fondo e l'unità elettronica non si separano leggermente (vedere figura 1). Tramite la tacca che diventa visibile sul bordo della piastra di fondo, aprire completamente il bordo superiore (vedere figura 2). Effettuare la stessa operazione per il bordo inferiore del regolatore.



Figura 1



Figura 2

Sollevare l'unità elettronica dalla piastra di fondo. La piastra inferiore con i morsetti presenta una serie di combinazioni di fori. Scegliere i fori idonei e serrare la piastra inferiore alla parete o alla scatola di connessione, in modo che le frecce sulla piastra inferiore siano rivolte verso l'alto. Non serrare eccessivamente le viti.

Nota: NRT405F901 non indica il gusto della ventola o il surriscaldamento della serpentina di riscaldamento. Pertanto, tutti i collegamenti devono essere eseguiti esternamente. Per scollegare la tensione di alimentazione, è possibile utilizzare una protezione contro il surriscaldamento o simile.



Scollegamento

NRT405F901 deve essere collegato ad un interruttore o a un interruttore automatico dell'impianto dell'edificio. L'interruttore deve trovarsi nelle immediate vicinanze del regolatore e deve essere facilmente accessibile all'operatore, oltre ad essere chiaramente contrassegnato come dispositivo preposto alla disconnessione dell'apparecchio.

Utilizzare sempre l'interruttore automatico per scollegare il regolatore dall'alimentazione di rete durante le operazioni di manutenzione del ventilconvettore e degli attuatori.

Impostazioni

Modalità di controllo


NRT405F901 è in grado di controllare il riscaldamento e il raffreddamento in sequenza o essere impostato per il cambio stagionale tra riscaldamento e raffreddamento (commutazione, vedere di seguito).


Funzione di commutazione

NRT405F901 è dotato di un ingresso per commutazione grazie al quale l'uscita DO4 viene automaticamente resettata per funzionare in modalità di riscaldamento o raffreddamento. Quando il regolatore viene usato unitamente a un attuatore a 3 posizioni, anche l'uscita DO5 viene interessata dalla funzione di commutazione secondo quanto indicato sopra. Un sensore di tipo PT1000 può essere collegato all'ingresso ed essere montato in modo che rilevi la temperatura sulla tubazione di alimentazione verso la serpentina. Quando la temperatura supera i 28°C, la funzione dell'uscita è impostata in riscaldamento, quando la temperatura scende invece al di sotto dei 16°C, l'uscita è impostata in raffreddamento. In alternativa, è possibile utilizzare un contatto a potenziale zero. La funzione di ingresso può essere impostata su NO/NC. Per garantire un funzionamento soddisfacente mediante sensore, il sistema deve essere dotato di circolazione continua del circuito primario. Quando non si utilizza la funzione di commutazione, l'ingresso deve rimanere scollegato. Quando si utilizza un riscaldatore elettrico e la funzione di commutazione viene impostata per il riscaldamento, la sequenza di funzionamento per NRT405F901 sarà riscaldamento/riscaldamento e DO5 verrà attivata per prima. Se non è collegato un sensore di commutazione, la sequenza sarà riscaldamento/riscaldamento. Se è necessario usare il raffreddamento in sequenza, il parametro 2 (modalità di commutazione) deve essere modificato manualmente.

Modalità di funzionamento

Sono disponibili quattro modalità di funzionamento diverse. La commutazione tra tali modalità viene eseguita localmente.

Comfort:  viene visualizzato nel display. Riscaldamento e raffreddamento presentano una zona neutra NZC. Un rilevatore di presenza può essere collegato al DI per scegliere tra Comfort ed Economy. La commutazione tra Comfort/Economy e Disattivazione può essere eseguita anche tramite il pulsante On/Off. Comfort/Economy si seleziona tramite l'elenco dei parametri.

Economy (Standby): "Standby" viene visualizzato nel display. I setpoint di riscaldamento e raffreddamento sono liberamente regolabili. Impostazioni di fabbrica: riscaldamento=15 °C, raffreddamento=30 °C.
Disattivazione: Il regolatore non riscalda o non raffredda e la ventola si arresta (a meno che la protezione antimuffa non sia selezionata o la funzione di raffreddamento del riscaldatore elettrico non sia attivata, in tal caso, la ventola rimane accesa).
Finestra: Nel display viene visualizzato , il regolatore è spento e la ventola si arresta (a meno che la protezione antimuffa non sia selezionata o la funzione di raffreddamento del riscaldatore elettrico non sia attivata, in tal caso, la ventola rimane accesa). Il contatto finestra è collegato a DI e deve essere configurato.

Rilevamento di presenza

Il parametro 3 determina se il DI è un ingresso di contatto finestra o un ingresso di rilevamento di presenza. Un rilevatore di presenza può essere collegato al DI per passare dalla modalità Comfort all'Economy e viceversa.

Setpoint

Il setpoint viene impostato mediante i pulsanti di aumento e diminuzione. Il parametro 24 determina ciò che viene visualizzato nel display. Per informazioni dettagliate, fare riferimento all'elenco dei parametri.

Limitazione del setpoint

Nei parametri 34 e 35 è possibile impostare i valori massimi consentiti rispettivamente di aumento e diminuzione del setpoint. Esempio: Se P35=5 e P34=3, il setpoint può essere cambiato tra 17 °C e 25 °C (vedere la figura riportata di seguito). Il setpoint di base può essere cambiato nel parametro 64 (impostazione di fabbrica=22 °C).

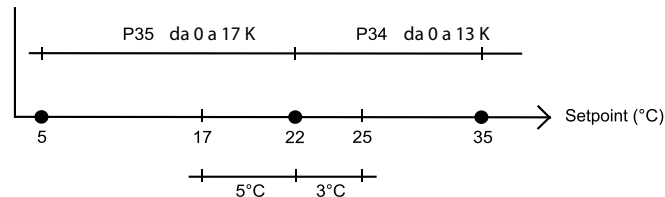


Figura 3: Esempio di limitazione del setpoint

Controllo ventola

La ventola può essere controllata tramite NRT405F901 con le seguenti modalità: Velocità bassa, Velocità media, Velocità alta, Auto. La velocità corrente della ventola nella modalità Auto dipende dalla richiesta di riscaldamento o raffreddamento e dalle impostazioni per ciascuna velocità.

Quando si utilizza il controllo automatico, nel display viene visualizzato "AUTO".

Il numero di passaggi di velocità della ventola può essere selezionato con il parametro 30. Se il parametro è impostato su 1, il primo passaggio di velocità della ventola verrà usato per il controllo della ventola.

Tramite il parametro 31, è possibile impostare la ventola al livello di velocità minimo quando è selezionata la modalità Auto. Se questo parametro è impostato su 1, la ventola funzionerà in tutte le modalità a eccezione di Disattivazione e Finestra (a meno che la protezione antimuffa non sia selezionata o la funzione di raffreddamento del riscaldatore elettrico non sia attivata, in tal caso, la ventola funzionerà anche in queste modalità).

Quando si utilizza un riscaldatore elettrico, con il parametro 1 impostato su 4, la ventola prevede un periodo di raffreddamento di 2 minuti.

Controllo manuale della velocità della ventola

Premendo il pulsante della ventola, si cambia la velocità della ventola in base alla sequenza I→II→III→AUTO. Quando si utilizza il controllo manuale, nel display viene visualizzato "MAN".


Se la ventola è stata configurata in modo da non essere influenzata dalla richiesta di riscaldamento o raffreddamento, sul display non compare "AUTO" quando si preme il pulsante della ventola.

Indicazioni

Il display presenta le seguenti indicazioni:

HEAT (RISCALDAMENTO) Controllo riscaldamento

COOL (RAFFREDDAMENTO) Controllo raffreddamento

 Se questa funzione è stata configurata e una finestra è aperta, viene visualizzato il simbolo di una finestra aperta.

OFF Il regolatore non riscalda o non raffredda

Pulsante On/Off

Premendo il pulsante On/Off, NRT405F901 passa dalla modalità Disattivazione alla modalità Comfort/Economy e viceversa.

Funzione per il controllo di un riscaldatore elettrico

NRT405F901 presenta una funzione per il controllo di impulso/pausa di un riscaldatore elettrico in sequenza con uno scaldacqua, simile al controllo di un attuatore termico. Quando si utilizza un riscaldatore elettrico, la ventola continua a funzionare per 2 minuti dopo lo spegnimento del riscaldatore per raffreddarlo.

Quando si utilizza un riscaldatore elettrico, è necessario collegare un'unità esterna (es., relè allo stato solido) tra NRT405F901 e la batteria.

Nota: NRT405F901 non indica il gusto della ventola o il surriscaldamento della serpentina di riscaldamento. Pertanto, tutti i collegamenti devono essere eseguiti esternamente. Per scollegare la tensione di alimentazione, è possibile utilizzare una protezione contro il surriscaldamento o simile.

Elenco dei parametri

Quando il regolatore si trova nella modalità Comfort o Finestra, è possibile impostare valori di parametro diversi in un elenco di parametri.

Tenere premuti i pulsanti di aumento e diminuzione per 5 secondi circa finché non viene visualizzato il simbolo Service, quindi premere due volte il pulsante di aumento.

Il display mostrerà per primo il parametro 1. Utilizzare i pulsanti di aumento e diminuzione per scorrere i parametri e premere il pulsante On/Off per selezionare il parametro desiderato. Il numero del parametro sarà quindi sostituito dal valore del parametro. Il valore può essere modificato mediante i pulsanti di aumento e diminuzione. Se un pulsante viene tenuto premuto, il valore inizierà a scorrere prima lentamente e quindi con velocità crescente.

Per uscire dall'elenco dei parametri e tornare alla schermata di base, premere il pulsante di aumento finché non compare "EXIT" (Uscita) (un passaggio prima del parametro 1) e premere il pulsante On/Off. È anche possibile uscire dall'elenco dei parametri premendo contemporaneamente i pulsanti di aumento e diminuzione.

Parametri

I seguenti parametri possono essere modificati nell'elenco dei parametri.

N° = numero parametro

FS = impostazione di fabbrica

NO = normalmente aperto

NC = normalmente chiuso

N.	Descrizione	FS
1	Modalità di controllo: 2=sistema a 2 tubazioni 3=sistema a 4 tubazioni 4=riscaldatore elettrico	3
2	Modalità di commutazione: 0=Controllo riscaldamento, 1=Controllo raffreddamento, 2=Commutazione automatica dipendente dal sensore di temperatura analogico o di ingresso digitale	2
3	Modalità di funzionamento quando si attiva l'ingresso digitale 1: 0=Modalità Economy (rilevatore di presenza) 1=Modalità Disattivazione (contatto finestra)	1

N.	Descrizione	FS
4	Protezione antimuffa: 0=Non attiva 1=Attiva (la ventola non si arresta mai)	0
5	Zona neutra in modalità Comfort (NZC). Se la zona neutra è 2 K, il setpoint di riscaldamento equivale al setpoint meno 1, mentre il setpoint di raffreddamento equivale al setpoint più 1.	1 K
6	Setpoint riscaldamento in modalità Libero	15°C
7	Setpoint raffreddamento in modalità Libero	30°C
8	Banda proporzionale per il regolatore temperatura ambiente	4 K
9	Tempo di integrazione per regolatore temperatura ambiente	300 s
10	<i>Non usato per questo modello</i>	
11	Timer di spegnimento per la modalità Comfort	0 min
12	Ritardo di accensione per la modalità Comfort	0 min
13	Sensore collegato a AI1: 0=Sensore interno, 1=Sensore ambiente esterno	0
14	Sensore collegato a UI1: 0=Nessuno, 1=Commutazione digitale, 2=Commutazione analogica	0
15	Tipo di attuatore digitale: 0=Termico, 1=3 punti	0
16-17	<i>Non usato per questo modello</i>	
18	Periodo di tempo per l'attuatore di riscaldamento con attuatore termico	480 s
19	Periodo di tempo per l'attuatore di raffreddamento con attuatore termico	480 s
20	Tempo di funzionamento per l'attuatore di riscaldamento con attuatore di aumento/diminuzione	120 s
21	Tempo di funzionamento per l'attuatore di raffreddamento con attuatore di aumento/diminuzione	120 s
22	Intervallo in ore tra procedure di prevenzione blocchi per attuatori di riscaldamento	23
23	Intervallo in ore tra procedure di prevenzione blocchi per attuatori di raffreddamento	23
24	Setpoint o valore effettivo mostrato nel display: 0=Effettivo, setpoint quando si modifica il setpoint, 1=Effettivo, regolazione del setpoint quando si modifica il setpoint, 2=Setpoint, 3=Solo regolazione del setpoint	2

N.	Descrizione	FS
25	Configurazione controllo ventola: 0=Nessun controllo, 1=La ventola funziona in base al fabbisogno di riscaldamento, 2=La ventola funziona in base al fabbisogno di raffreddamento, 3=La ventola funziona in base al fabbisogno di riscaldamento e raffreddamento. Quando si utilizza un riscaldatore elettrico, questo parametro deve essere impostato unicamente su 1 o 3; in caso contrario è possibile che si verifichi un surriscaldamento del riscaldatore.	3
26	Segnale avvio in % dell'uscita del regolatore, riscaldamento o raffreddamento, per velocità della ventola 1	20 (5 quando si utilizza un riscaldatore elettrico)
27	Segnale avvio in % dell'uscita del regolatore, riscaldamento o raffreddamento, per velocità della ventola 2	60
28	Segnale avvio in % dell'uscita del regolatore, riscaldamento o raffreddamento, per velocità della ventola 3	100
29	Isteresi per avvio/arresto di ventole in % dell'uscita del regolatore.	5
30	Numero di velocità ventola	3
31	Velocità ventola nella modalità Auto: 0=La velocità della ventola segue l'uscita di raffreddamento/riscaldamento, 1=La velocità della ventola è limitata minimo alla velocità più bassa	0
32	Compensazione temperatura in AI1	0 K
33	Compensazione temperatura per il sensore ambiente interno	0 K
34	Massimo offset del setpoint in aumento consentito. Valore regolabile=da 0 a 13 K. Punto iniziale= 22°C.	3 K
35	Massimo offset del setpoint in diminuzione consentito. Valore regolabile=da 0 a 17 K. Punto iniziale= 22°C.	3 K
36	Ingresso digitale 1 NO/NC: 0=NO, 1=NC	1
37	Ingresso universale 1 NO/NC: 0=NO, 1=NC	0
38	Uscita digitale 4 NO/NC: 0=NO, 1=NC	1
39	Uscita digitale 5 NO/NC: 0=NO, 1=NC	1

N.	Descrizione	FS
40	Segnale uscita riscaldamento manuale/ automatico: 0=Off, 1=Manuale, 2=Automatico	2
41	Segnale uscita raffreddamento manuale/ automatico: 0=Off, 1=Manuale, 2=Automatico	2
42	Segnale uscita riscaldamento in modalità manuale	0
43	Segnale uscita raffreddamento in modalità manuale	0
44	Modello	-
45	Versione principale	-
46	Versione secondaria	-
47	Publicato o versione beta	-
48	Revisione	-
49	Retroilluminazione display bassa	10
50	Retroilluminazione display alta	30
51	Indirizzo PLA	-
52	Indirizzo ELA	-
53	Indirizzo Modbus	254
54	Bit di parità di comunicazione Modbus: 0 = Nessuna parità; 1 = Parità dispari; 2 = Parità pari	2
55	Timeout Modbus per carattere (1,5 v.), in ms. Deve essere pari a 1,5 volte un carattere, ovvero almeno 2 ms.	2 ms
56	Ritardo risposta in Modbus (3,5 v.), in ms. Deve essere pari a 3,5 volte un carattere, ovvero almeno 5 ms.	5 ms
57	Protocollo di comunicazione: 0=Modbus, 1=BACnet MS/TP	0
58	Indirizzo BACnet MS/TP MAC 0-127=indirizzo master, 128-254=indirizzo slave	-
59	I 4 numeri bassi nell'ID dispositivo BACnet, 0-9999	-
60	I 3 numeri alti nell'ID dispositivo BACnet	-
61	Master BACnet MS/TP Max	127
62	Velocità protocollo di comunicazione: 0=9600 bps, 1=19200 bps, 2=38400 bps, 3=76800 bps (l'alternativa 3 si applica unicamente a BACnet)	0
63	Ripristina i parametri di comunicazione (non indirizzi) alle impostazioni predefinite: 1=Impostazioni di fabbrica (Modbus@9600)	0
64	Setpoint di base. Valore regolabile=da 5 a 50 °C.	22 °C

Cablaggio

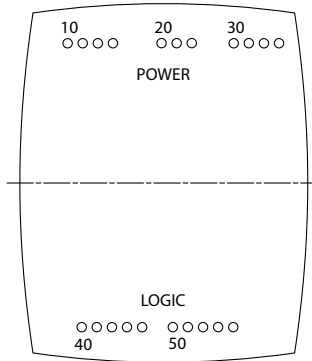


Figura 4: Collegamenti della piastra di fondo

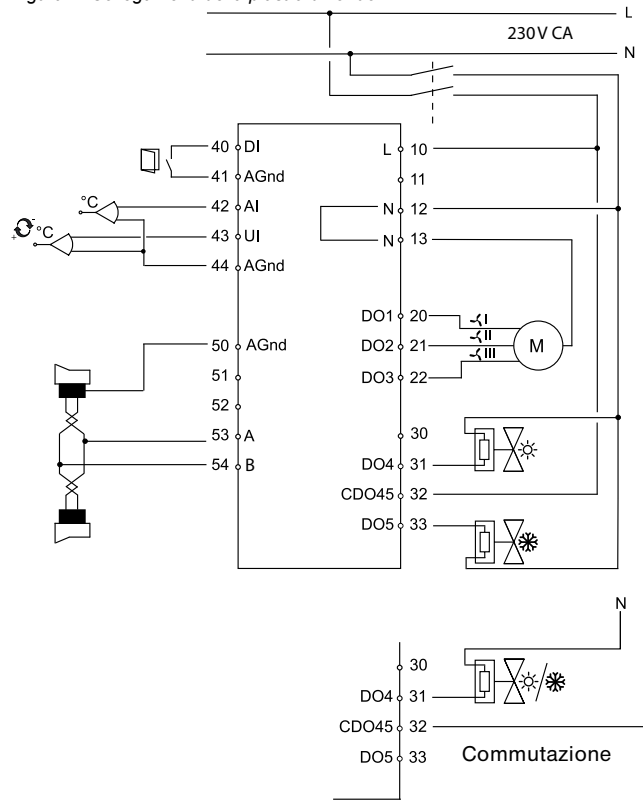


Figura 5: Schema di collegamento

NRT405F901

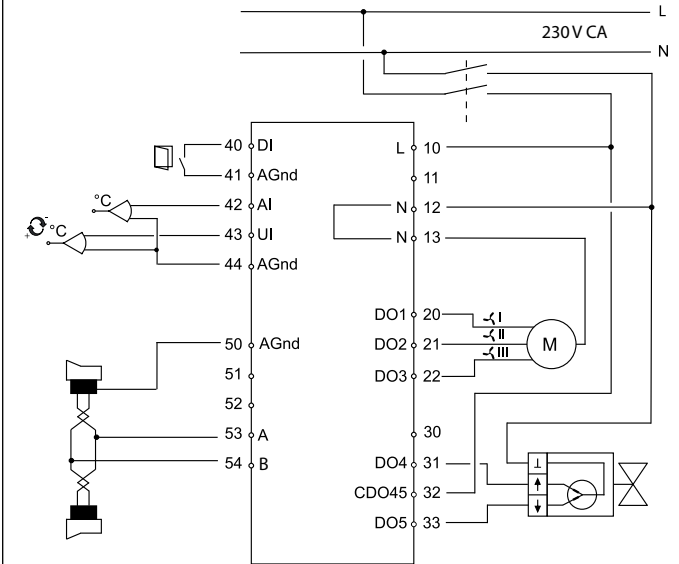


Figura 6: Schema di collegamento

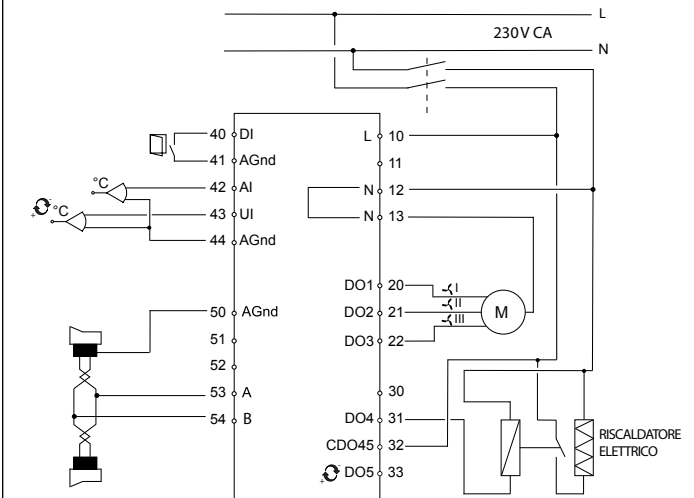


Figura 7: Schema di collegamento con riscaldatore elettrico

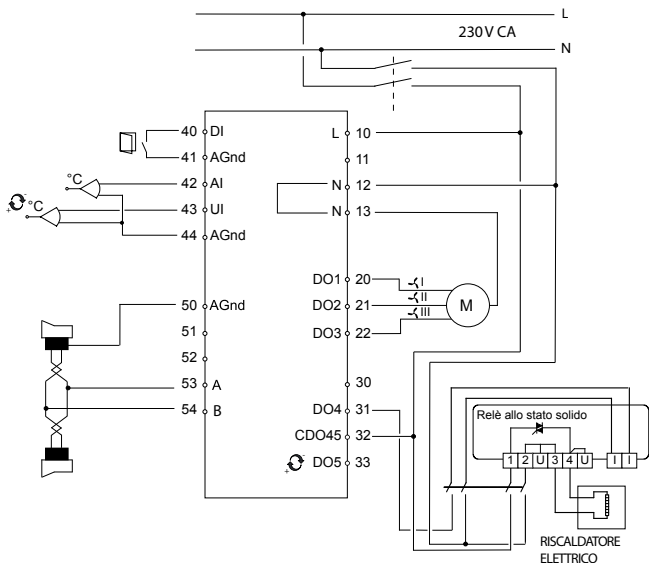


Figura 8: Schema di collegamento con relè allo stato solido per riscaldatore elettrico

Collegamento di attuatori diversi

Quando si esegue il collegamento degli attuatori termici, DO4 viene usato per il riscaldamento degli attuatori e DO5 per il raffreddamento degli attuatori. Se l'impianto è a doppia tubazione e viene usata la funzione di commutazione, l'attuatore deve essere collegato a DO4.

Quando si esegue il collegamento di attuatori a 3 posizioni, DO4 viene usato per il segnale crescente e DO5 per il segnale decrescente, anche quando viene usata la funzione di commutazione.

10	L	Linea 230 V CA	Alimentazione elettrica
11	-	Non collegato	
12	N	230 V CA Neutro	Alimentazione elettrica (collegata internamente al morsetto 13)
13	N	Ventilconvettore comune / 230 V CA Neutro	Connettore ventilconvettore comune (collegato internamente al morsetto 12)
20	DO1	Uscita 1 ventilconvettore per controllo della ventola	Relè, 230 V CA*, 3 A
21	DO2	Uscita 2 ventilconvettore per controllo della ventola	Relè, 230 V CA*, 3 A

22	DO3	Uscita 3 ventilconvettore per controllo della ventola	Relè, 230 V CA*, 3 A
30	-	Non collegato	
31	DO4	Uscita digitale 4 per riscaldamento/raffreddamento o apertura con attuatore a 3 punti	Uscita digitale. 230 V CA, max 300 mA. Max. 2 A in 20 ms.
32	CDO45	DO4 e 5 comuni	Collegamento comune per uscite digitali 4 e 5
33	DO5	Uscita digitale 5 per raffreddamento o riscaldamento con attuatore a 3 punti. Riscaldamento/raffreddamento con riscaldatore elettrico configurato	Uscita digitale. 230 V CA, max 300 mA. Max. 2 A in 20 ms.
40	DI	Ingresso digitale	Contatto finestra a potenziale zero o contatto di presenza. Configurabile per NO/NC.
41	Agnd	Messa a terra analogica	
42	AI	Ingresso analogico	PT1000 esterno invece di NTC interno
43	UI	Ingresso universale	Ingresso di commutazione. Interruttore a potenziale zero (configurabile per NO/NC) o PT1000.
44	Agnd	Messa a terra analogica	
50	Agnd	Messa a terra analogica	
51	-	Non collegato	
52	-	Non collegato	
53	A	RS485 comunicazione A	
54	B	RS485 comunicazione B	

*La somma della corrente attraverso DO1-DO3 deve essere protetta da un fusibile



Standard Direttiva europea sul basso voltaggio (LVD) / Emissioni EMC e standard di immunità

Questo prodotto è conforme ai requisiti EMC e LVD delle norme armonizzate europee EN 60730-1:2000 ed EN 60730-2-9:2002 ed è contrassegnato dal marchio CE.

RoHS

Questo prodotto è conforme alla Direttiva 2011/65/UE del Parlamento europeo e del Consiglio.

Contatti

Sauter Italia S.p.A., Via Dei Lavoratori,
131 IT-20092 Cinisello Balsamo (MI), Italia
Tel: +39 02 280 481, Fax: +39 02 280 482 80
www.sauteritalia.it



Anleitung für Produkte mit Softwarestand 1.2 und neuer. Diese Montageanleitung vor Installation und Anschluss des Produktes bitte durchlesen.



Dieses Symbol macht auf eventuelle Gefahren bei der Handhabung des Produktes und in der Dokumentation nachzulesende Maßnahmen aufmerksam.

Raumregler für Fan-Coil-Anlagen

NRT405F901 ist ein Raumregler für die Regelung von Fan-Coils (mit Erhitzer/Kühler) und thermischen oder 3-Punkt Stellantrieben. Die Installation erfolgt direkt an die Wand oder an eine Anschlussdose. Für Ventilatoren sind drei Stufen einstellbar.

NRT405F901 hat eine Change-Over-Funktion und kann in 2- oder 4-Rohr-Systemen eingesetzt werden.

Der Regler verfügt über eine Regelungsfunktion für elektrische Erhitzer. Für die Einbindung in ein System verfügt NRT405F901 über integrierte Kommunikation über RS485 (Modbus oder BACnet). Der Regler kann mit Hilfe der Software NRT tool (ab Version 1.3-1-05) konfiguriert werden, die auf SAUTER ITALIA SPAs Website (www.sauteritalia.it) zum Download zur Verfügung steht.

Technische Daten

Versorgungsspannung	230 V AC ± 10 %, 50/60 Hz
Leistungsaufnahme	< 3 W
Umgebungstemperatur	0...50 °C
Umgebungsfeuchte	Max 90 % rel. F.
Lagertemperatur	-20...+70 °C
Integr. Temperaturfühler	Typ: NTC, Messbereich 0...50 °C
Eingänge	Siehe Anschlussbild und Klemmenbelegungsplan unten
Ausgänge	Relais für die Ventilatoransteuerung, 230 V AC, 3 A, DO4, DO5 für Stellantriebe, Triac, 230 V AC, max. 300mA.
Kommunikation	RS485 (Modbus mit automatischer Erkennung/Umschaltung) oder BACnet MS/TP
Modbus	8 Bits, 1 oder 2 Stoppbits. Ungerade, gerade (WE) oder keine Parität.
Komm.geschwindigkeit	9600, 19200, 38400 bps (Modbus und BACnet) oder 76800 bps (nur BACnet)
Klemmenblöcke	Lift-Typ für Kabelquerschnitte bis zu 2,1 mm ²
Schutzart	IP20

Verschmutzungsgrad	2
Überspannungskategorie	3
Material, Gehäuse	Polykarbonat, PC
Abmessungen	102 x 120 x 29 mm

Installation

Der Regler muss an einem Ort montiert werden, an dem die Temperatur der des Raumes entspricht. Eine geeignete Stelle ist auf ca. 1,6 m Höhe, mit ungehinderter Luftzirkulation.

Verschlusshaken an der oberen Kante des Reglers mit einem Schraubendreher eindrücken. Schraubendreher vorsichtig drehen, bis sich die Abdeckung ein wenig vom Sockel löst. Siehe Abb. 1. Danach mit Hilfe der Kerbe, die sichtbar wird, die Abdeckung an der oberen Kante gänzlich lösen. Siehe Abb.2. Vorgang an der unteren Kante wiederholen.



Abb. 1



Abb. 2

Danach das Reglerinnenleben aus dem Sockel lösen. Der Sockel mit den Klemmen ist mit mehreren Aussparungen versehen. Für die Montage gewünschte Befestigungsbohrungen wählen und Sockel so an Wand oder auf Anschlussdose befestigen, dass die Pfeilmarkierungen nach oben zeigen. Schrauben nicht zu fest anziehen!

Hinweis: NRT405F901 hat keine Alarmfunktion für Ventilatorstörungen oder Überhitzung des Erhitzers. Daher müssen sämtliche Anschlüsse extern erfolgen. So kann z.B. ein Übertemperaturschutz zwischengeschaltet werden, der die Versorgungsspannung unterbrechen kann.



Netztrennung

NRT405F901 muss bei Montage an einen Schutzschalter angeschlossen werden. Dieser Schalter muss sich in unmittelbarer Nähe des Reglers befinden, leicht zugänglich und als Trennschalter für die Anlage gekennzeichnet sein.

Bei Wartungsarbeiten an Fan-Coil und Stellantrieben ist der Regler grundsätzlich mit Hilfe des Schutzschalters von der Versorgungsspannung zu trennen.

Einstellungen

Regelmodi

NRT405F901 verfügt über die Regelmodi Heizen und Kühlen in Sequenz oder jahreszeitliches Umschalten zwischen Heizen und Kühlen (Change-Over, siehe unten).

Change-Over-Funktion

NRT405F901 hat einen Change-Over-Eingang, der den Ausgang DO4 je nach Bedarf automatisch auf Heizen oder Kühlen umstellt. Bei Verwendung des Reglers zusammen mit einem 3-Punkt Stellantrieb, wird die Change-Over-Funktion ebenso auf Ausgang DO5 angewandt. An den Eingang kann ein Pt1000-Fühler angeschlossen werden, der so montiert werden muss, dass die Vorlauftemperatur des Fan-Coils gemessen wird.

Die Ausgangsfunktion wird auf Heizen gestellt, wenn die Vorlauftemperatur 28 °C über-, und auf Kühlen, wenn sie 16 °C unterschreitet. Alternativ kann ein potenzialfreier Kontakt verwendet werden. Das Eingangssignal kann als NO/NG eingestellt werden.


Um zufriedenstellenden Betrieb mit einem Fühler zu gewährleisten, muss das System über kontinuierliche Zirkulation im Hauptkreis verfügen. Bei Nichtverwendung der Change-Over-Funktion ist der Eingang offen zu lassen.

Wenn ein elektrischer Erhitzer verwendet wird und die Change-Over-Funktion auf Heizen steht, regelt NRT405F901 mit der Sequenz Heizen/Heizen und DO5 wird zuerst aktiviert.

Falls kein Change-Over-Fühler angeschlossen ist, ist die Sequenz grundsätzlich Heizen/Heizen. Soll Kühlen Teil der Sequenz sein, muss Parameter 2 (Change-Over-Modus) manuell umgestellt werden.


Betriebsmodus

Es gibt vier verschiedene Betriebsmodi. Das Umschalten zwischen den Modi erfolgt im Gerät.

Komfort:  wird im Display angezeigt. Die neutrale Zone (NZC) zwischen der Aktivierung von Heizen und Kühlen ist klein. Zum Wechsel zwischen Komfort und Eco (Standby) kann ein Präsenzmelder an den Digitaleingang (DI) angeschlossen werden. Das Umschalten zwischen Komfort/Eco und Abschaltbetrieb kann mittels Ein/Aus-Taste erfolgen. Komfort/Eco wird mittels Parameterliste gewählt (s.u.).

Eco (Standby): Im Display wird „Standby“ angezeigt. Die Sollwerte für Heiz- und Kühlstart sind beliebig einstellbar. Werkseinstellungen: Heizen = 15 °C, Kühlen = 30 °C.

Abschaltbetrieb: Weder Heizen noch Kühlen ist aktiv und der Ventilator ist ausgeschaltet, (außer, die Schimmelschutzfunktion ist konfiguriert oder die Abkühlfunktion des elektrischen Erhitzers ist aktiv. In diesem Fall ist der Ventilator weiterhin in Betrieb).

Fenster:  wird im Display angezeigt, der Regler ist aus und der Ventilator ist ausgeschaltet, (außer, die Schimmelschutzfunktion ist konfiguriert oder die Abkühlfunktion des elektrischen Erhitzers

ist aktiv. In diesem Fall ist der Ventilator weiterhin in Betrieb). Der Fensterkontakt ist an den DI anzuschließen und muss konfiguriert werden.

Präsenzmeldung

Mit Parameter 3 wird gewählt, ob der DI als Eingang für Fensterkontakt oder Präsenzmelder verwendet wird. Ein Präsenzmelder kann zum Wechsel zwischen den Betriebsmodi Komfort und Eco (Standby) an den DI angeschlossen werden.

Sollwert

Der Sollwert wird mit Hilfe der ERHÖHEN (\wedge) und SENKEN (\vee)-Tasten eingestellt. Mit Parameter 24 wird festgelegt, was im Basisdisplay angezeigt wird. Für genauere Informationen, siehe Parameterliste.

Sollwertbegrenzung

Mit den Parameter 34 und 35 werden die Minimal- bzw. Maximalbegrenzung für die Sollwertanpassung gewählt.
Beispiel: Wenn P35=5 und P34=3, kann der Sollwert zwischen 17 °C und 25 °C eingestellt werden (siehe Abbildung).
Der Basissollwert kann in Parameter 64 geändert werden (Werkseinstellung=22°C).

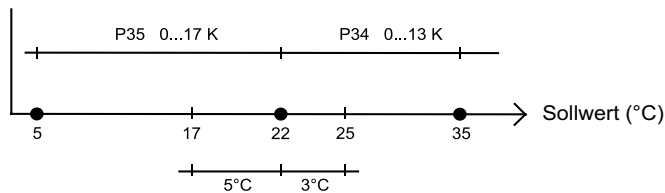


Abb. 3 Beispiel Sollwertbegrenzung

Ventilatoransteuerung

Für die Ventilatoransteuerung hat NRT405F901 folgende Alternativen: Stufe I (niedrig), Stufe II (mittel), Stufe III (hoch), Auto. Die aktuelle Ventilatorstufe „Auto“ ist abhängig vom Heiz-/Kühlbedarf und den Einstellungen für jede Stufe.

Bei automatischer Ansteuerung wird „Auto“ im Display angezeigt. Mit Parameter 30 wird die Anzahl Ventilatorstufe eingestellt. Wenn dieser Parameter auf 1 gestellt wird, wird nur die erste Ventilatorstufe zur Ansteuerung verwendet.

Mit Parameter 31 kann eine Grundstufe für den Ventilator bei „Auto“ eingestellt werden. Wenn dieser Parameter auf 1 gestellt wird, läuft der Ventilator in allen Betriebsmodi, außer dem Abschaltbetrieb und Fenster (bei aktivierter Schimmelschutzfunktion oder die Abkühlfunktion des elektrischen Erhitzers ist in Betrieb, läuft der Ventilator trotzdem weiter).

Bei Verwendung eines elektrischen Erhitzers, Parameter 1 auf 4 eingestellt, wird der Ventilator nach Ausschalten des Erhitzers zum Nachkühlen 2 Minuten lang weiterlaufen.

Manuelles Einstellen der Ventilatorstufe

Durch Drücken der Ventilortaste wird die Ventilatorstufe in der Reihenfolge I→II→III→AUTO umgeschaltet. Bei manueller Ansteuerung erscheint „MAN“ im Display. Wurde der Ventilator so konfiguriert, dass er nicht von der Kühl- oder Wärmeanforderung beeinflusst wird, erscheint kein „AUTO“ wenn die Ventilortaste gedrückt wird.

Anzeigen

Das Display hat folgende Anzeigen:

HEAT Regelung Heizen

COOL Regelung Kühlen

Das Fenster-Symbol wird angezeigt, wenn die Funktion konfiguriert wurde und ein Fenster geöffnet ist.

OFF Weder Heizen oder Kühlen ist aktiv.

Ein/Aus-Taste

Bei Drücken der Ein/Aus-Taste schaltet NRT405F901 zwischen Abschalt- und Komfort/Eco-Modus um.

Regelungsfunktion für elektrische Erhitzer

NRT405F901 ist mit einer Funktion für die PWM-Regelung von elektrischen Erhitzern in Sequenz mit einem Warmwasserbereiter ausgestattet, der Ansteuerung thermischer Stellantriebe ähnlich. Bei Verwendung eines elektrischen Erhitzers wird der Ventilator nach Ausschalten des Erhitzers zum Nachkühlen 2 Minuten lang weiterlaufen.

Bei Anschluss muss eine externe Einheit (z.B. ein elektronisches Lastrelais) zwischen NRT405F901 und dem Erhitzer angeschlossen werden.

Hinweis: NRT405F901 hat keine Alarmfunktion für Ventilatorstörungen oder Überhitzung des Erhitzers. Daher müssen sämtliche Anschlüsse extern erfolgen. So kann z.B. ein Übertemperaturschutz zwischengeschaltet werden, der die Versorgungsspannung unterbrechen kann.

Parameterliste

Befindet sich der Regler im Komfort- oder Fenstermodus, können verschiedene Parameterwerte in der Parameterliste eingestellt werden. Hierfür die ERHÖHEN- und SENKEN-Tasten ca. 5 Sekunden lang gedrückt halten, bis das Service-Symbol im Display erscheint. Danach zweimal die ERHÖHEN-Taste drücken.

Im Display erscheinen zuerst Parameter 1. Mit den ERHÖHEN- und SENKEN-Tasten werden unterschiedliche Parameter angezeigt. Erscheint der gewünschte Parameter, wird die Ein/Aus-Taste zum Auswählen gedrückt. Die Parameternummer wird dann durch den Parameterwert ersetzt. Der Wert kann mit den ERHÖHEN- und SENKEN-Tasten geändert werden.

Wenn eine der Tasten gedrückt gehalten wird, wird der Wert nach und nach erhöht oder gesenkt, zuerst langsam, danach immer schneller. Um die Parameterliste zu verlassen und zum Basisdisplay zurückzukehren, ERHÖHEN-Taste drücken bis „EXIT“ erscheint (vor Parameter 1) und Ein/Aus-Taste drücken. Es ist ebenfalls möglich, zum Verlassen die ERHÖHEN- und SENKEN-Taste gleichzeitig zu drücken.

Parameter

Folgende Parameter können mittels Parameterliste geändert werden:

Nr. = *Parameter*nummer

WE = *Werkseinstellung*.

NO = *normal open*

NG = *normal geschlossen*

Nr.	Beschreibung	WE
1	Regelmodus: 2=2-Rohr-System 3=4-Rohr-System 4=Elektr. Erhitzer	3
2	Change-Over: 0=Regelung Heizen, 1=Regelung Kühlen, 2=Automatischer Change-Over, über analogen Temperaturfühler oder Digitaleingang	2
3	Betriebsmodus bei aktiviertem DI 1: 0=Eco (Präsenzmelder) 1=Abschaltbetrieb (Fensterkontakt)	1
4	Schimmelschutzfunktion: 0=Nicht aktiv 1=Aktiv (Vent. im Dauerbetrieb)	0
5	Neutrale Zone im Komfort-Modus (NZC). Wenn die neutrale Zone=2 K, ist der Sollwert Heizen= Basissollwert-1 und der Sollwert Kühlen = Basis- sollwert+1.	1 K
6	SW Heizen bei keiner Präsenz	15 °C
7	SW Kühlen bei keiner Präsenz	30 °C
8	P-Band für die Raumregelung	4 K
9	I-Zeit für die Raumregelung	300 s
10	<i>Nicht gültig für dieses Modell</i>	
11	Ausschaltverzögerung bei Komfortmodus	0 min
12	Einschaltverzögerung bei Komfortmodus	0 min
13	An Al1 angeschlossener Fühler: 0=interner Fühler, 1=externer Raumfühler	0

Nr.	Beschreibung	WE
14	An UI1 angeschlossener Fühler: 0= - , 1=Change-Over digital, 2=Change-Over analog	0
15	Ausführung Digitalstellantrieb: 0=Thermisch, 1=3-Punkt	0
16-17	<i>Nicht gültig für dieses Modell</i>	
18	Pulsdauer für Heizstellantrieb, wenn thermischer Stellantrieb	480 s
19	Pulsdauer für Kühlstellantrieb, wenn thermischer Stellantrieb	480 s
20	Motorlaufzeit für Heizstellantrieb mit 3-Punkt	120 s
21	Motorlaufzeit für Kühlstellantrieb mit 3-Punkt	120 s
22	Intervall (in Stunden) für Blockierschutz Heizventil	23
23	Intervall (in Stunden) für Blockierschutz Kühlventil	23
24	Anzeige von Sollwert oder Istwert im Display: 0=Istwert, Sollwert bei SW-Änderung, 1=Istwert, SW-Anpassung (Differenz) bei SW-Änderung, 2=Sollwert, 3=Nur SW-Anpassung (Differenz)	2
25	Konfiguration Ventilatoransteuerung: 0=Keine Ansteuerung, 1=Ansteuerung in Abhängigkeit des Heizbedarfs, 2=Ansteuerung in Abhängigkeit des Kühlbedarfs, 3=Ansteuerung in Abhängigkeit des Heiz- & Kühlbedarfs Bei Verwendung eines elektrischen Erhitzers sollte der Parameter nur auf 1 oder 3 eingestellt werden. Ansonsten kann es zu einer Überhitzung kommen.	3
26	Stellsignal der Regelung Heizen od. Kühlen in % für Start Ventilatorstufe 1	20 (5 bei el. Erhitzer)
27	Stellsignal der Regelung Heizen od. Kühlen in % für Start Ventilatorstufe 2	60
28	Stellsignal der Regelung Heizen od. Kühlen in % für Start Ventilatorstufe 3	100
29	Hysterese für Ein-/Ausschalten der Ventilatorstufen (in % des Stellsignals)	5
30	Anzahl der Ventilatorstufe	3

Nr.	Beschreibung	WE
31	Ventilatorstufe in Auto: 0= Folgt dem Heiz-/Kühlstellsignal, 1=Ventilatorbetrieb mit Grundstufe	0
32	Temperaturkorrektur an AI1	0 K
33	Temperaturkorrektur interner Raumfühler	0 K
34	Max. SW-Erhöhung bei Anpassung. Einstellbarer Wert=0...13 K. Basis-SW=22 °C.	3 K
35	Max. SW-Senkung bei Anpassung. Einstellbarer Wert=0...17 K. Basis-SW=22 °C.	3 K
36	NO/NG Digitaleingang 1: 0=NO, 1=NG	1
37	NO/NG Universaleingang 1: 0=NO, 1=NG	0
38	NO/NG Digitalausgang 4: 0=NO, 1=NG	1
39	NO/NG Digitalausgang 5: 0=NO, 1=NG	1
40	Hand/Automatik Stellsignal Heizen: 0=Aus, 1=Hand, 2=Auto	2
41	Hand/Automatik Stellsignal Kühlen: 0=Aus, 1=Hand, 2=Auto	2
42	Ausgangssignal Heizen in Handbetrieb	0
43	Ausgangssignal Kühlen in Handbetrieb	0
44	Modell	-
45	Hauptversion	-
46	Zwischenversion	-
47	Release oder Beta-Version	-
48	Revision	-
49	Hintergrundbeleuchtung schwach	10
50	Hintergrundbeleuchtung stark	30
51	PLA-Adresse	-
52	ELA-Adresse	-
53	Modbus-Adresse	254
54	Modbus-Kommunikation Parität: 0=Keine Parität, 1=Ungerade Parität, 2=Gerade Parität	2

Nr.	Beschreibung	WE
55	Modbus Zeichen-Timeout (t1,5) in ms. Sollte 1,5 x ein Zeichen sein, d.h. mindestens 2 ms.	2 ms
56	Modbus-Antwortverzögerung (t3,5) in ms. Sollte 3,5 x ein Zeichen sein, d.h. mindestens 5 ms.	5 ms
57	Kommunikationsprotokoll: 0=Modbus, 1=BACnet MS/TP	0
58	BACnet MS/TP MAC Adresse: 0-127=Master-Adresse, 128-254=Slave-Adresse	-
59	Die 4 niedrigen Zahlen des BACnet-Geräte-IDs, 0-9999	-
60	Die 3 hohen Zahlen des BACnet-Geräte-IDs	-
61	BACnet MS/TP Max. Master	127
62	Geschwindigkeit Kommunikationprotokoll: 0=9600 bps, 1=19200 bps, 2=38400 bps, 3=76800 bps (3 nur für BACnet)	0
63	Zurücksetzen der Kommunikationsparameter (nicht der Adressen) auf Werkseinstellung: 1=Werkseinstellung (Modbus@9600)	0
64	Basissollwert. Einstellbarer Wert=5...50°C.	22 °C

Anschluss

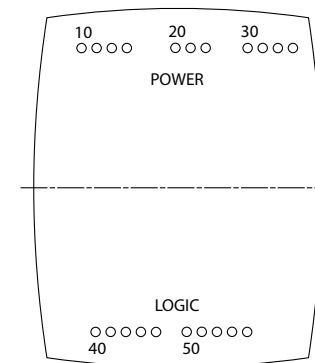


Abb.4 Sockel: Klemmenanordnung

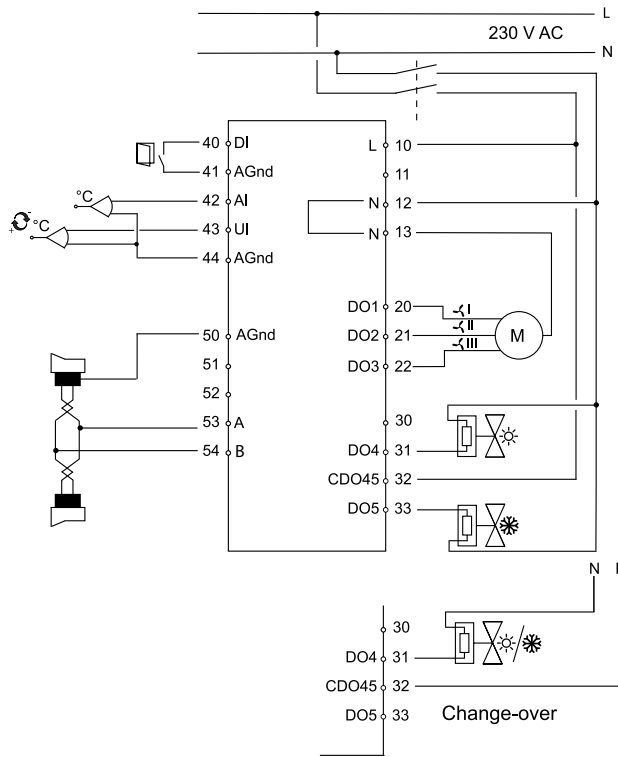


Abb. 5 Anschlussbild

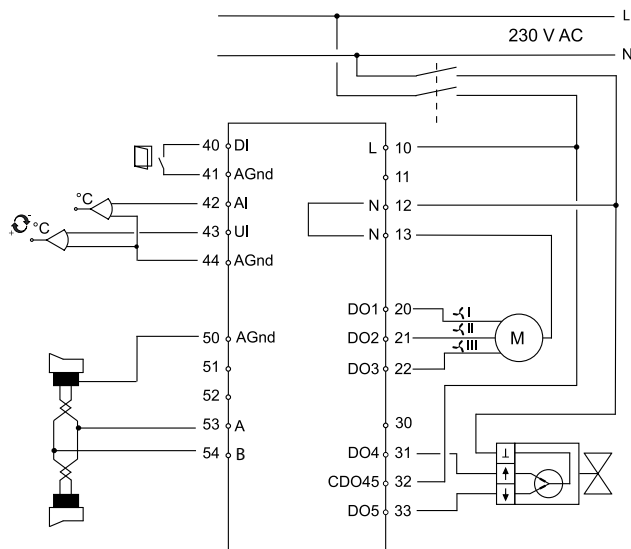


Abb. 6 Anschlussbild

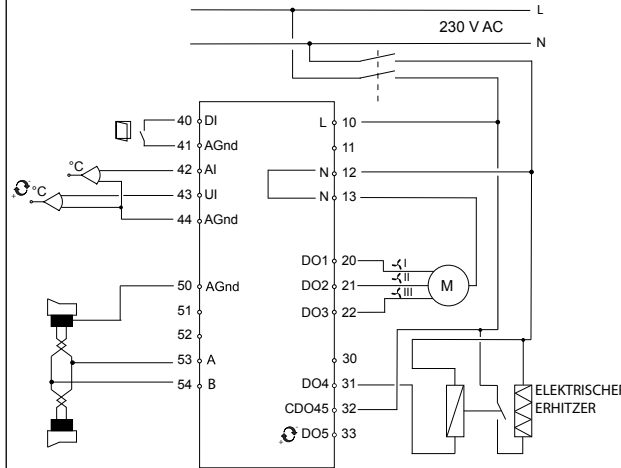


Abb. 7 Anschlussbild mit elektrischem Erhitzer

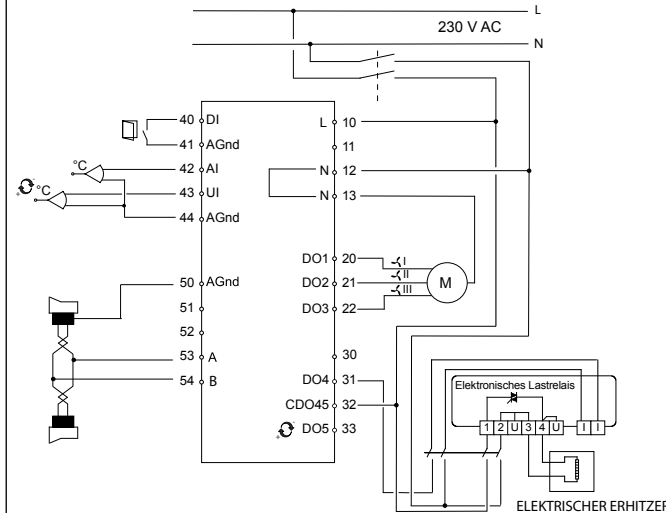


Abb. 8 Anschlussbild mit elektronisches Lastrelais für Erhitzer (elektrisch)

Anschluss verschiedener Stellantriebe

Bei der Verwendung thermischer Stellantriebe wird DO4 für Heizstellantriebe und DO5 für Kühlstellantrieb eingesetzt. Bei einer 2-Rohr-System Installation und der Verwendung der Change-Over-Funktion, muss der Stellantrieb an DO4 angeschlossen werden. Bei der Verwendung von 3-Punkt Stellantrieben wird DO4 für das Auf-Signal und DO5 für das Zu-Signal eingesetzt, selbst wenn die Change-Over-Funktion aktiv ist.

10	L	230 V AC (Phase)	Versorgungsspannung
11	-	Nicht verbunden	
12	N	230 V AC Neutral	Versorgungsspannung (intern mit Klemme 13 verbunden)
13	N	Gemeinsamer N-Leiter Fan-Coil/ 230 V AC	Gemeinsamer Fan-Coil-Anschluss (intern mit Klemme 12 verbunden)
20	DO1	Fan-Coil-Ausgang 1 für Ventilatoransteuerung	Relais, 230 V AC*, 3 A
21	DO2	Fan-Coil-Ausgang 2 für Ventilatoransteuerung	Relais, 230 V AC*, 3 A
22	DO3	Fan-Coil-Ausgang 3 für Ventilatoransteuerung	Relais, 230 V AC*, 3 A
30	-	Nicht verbunden	
31	DO4	Digitalausgang 4, Heizen/Kühlen oder 3-Punkt-Stellantrieb AUF	Digitalausgang. 230 V AC, max. 300 mA Max 2 A für 20 ms.
32	CDO45	Referenzpunkt für DO4 & 5	Gemeinsamer Anschluss für Digitalausgänge 4 & 5
33	DO5	Digitalausgang 5, Kühlen oder 3-Punkt-Stellantrieb ZU Heizen/Kühlen wenn Erhitzer konfiguriert	Digitalausgang. 230 V AC, max. 300 mA Max 2 A für 20 ms.
40	DI	Digitaleingang	Potenzialfreier Fenster- oder Präsenzkontakt. Einstellbar als NO/NG.
41	Agnd	Analoge Masse	
42	AI	Analogeingang	Externer Pt1000-Fühler (anstatt des internen NTC)

43	UI	Universaleingang	Change-Over-Eingang. Potenzialfreier Schalter (einstellbar als NO/NG) oder Pt1000.
44	Agnd	Analoge Masse	
50	Agnd	Analog Masse	
51	-	Nicht verbunden	
52	-	Nicht verbunden	
53	A	RS485 Kommunikation A	
54	B	RS485 Kommunikation B	

*Der Gesamtstrom für die Ausgänge DO1-DO3 wird über eine Gerätesicherung begrenzt.



Niederspannungsrichtlinie (LVD) / Elektromagnetische Verträglichkeit (EMV)

Dieses Produkt entspricht den Anforderungen der EMV- und LVD-Richtlinien durch Erfüllung der Normen EN 60730-1:2000 und EN 60730-2-9:2002 und trägt das CE-Zeichen.

RoHS

Dieses Produkt entspricht den Anforderungen der Richtlinie 2011/65/EU des europäischen Parlamentes und des Rates.

Kontakt

Sauter Italia S.p.A., Via Dei Lavoratori,
131 IT-20092 Cinisello Balsamo (MI), Italia
Tel: +39 02 280 481, Fax: +39 02 280 482 80
www.sauteritalia.it

FR

INSTRUCTION NRT405F901



Instruction pour les produits ayant la version 1.2 ou plus. Veuillez lire cette instruction avant de procéder à l'installation et au raccordement du produit.



Afin d'éviter tout risque d'incident ou d'accident, veuillez à respecter les conseils de sécurité donnés dans cette notice et identifiés par ce symbole

Régulateur d'ambiance pour le contrôle de ventilo-convecteurs

NRT405F901 est un régulateur d'ambiance prévu pour commander les batteries chaudes/froides d'un ventilo-convecteur et des actionneurs thermiques ou à 3 points. Le montage se fait directement sur le mur ou sur un coffret électrique. Il permet de régler la vitesse des ventilateurs avec trois vitesses disponibles.

NRT405F901 est doté d'une fonction change-over et peut être utilisé dans des installations à 2 ou 4 tubes.

Il dispose aussi d'une fonction pour la commande de batterie électrique. Si intégré dans un système, NRT405F901 peut communiquer via RS485 (Modbus ou BACnet). Il peut être configuré à l'aide du logiciel NRT tool (version 1.3-1-05 ou supérieure), disponible sur le site de SAUTER ITALIA SPA, www.sauteritalia.it

Caractéristiques techniques

Tension d'alimentation	230 V AC ± 10 %, 50/60 Hz
Puissance consommée	< 3 W
Température ambiante	0...50 °C
Humidité ambiante	Max. 90 % HR
Température de stockage	-20...+70 °C
Sonde de température intégrée	NTC, plage de mesure 0...50 °C
Entrées	Voir les schémas de connexion et les tableaux ci-après.
Sorties	Relais pour la commande de ventilateur, 230 V AC, 3 A DO4, DO5 pour les actionneurs, Triac, 230 V AC, max. 300 mA
Communication	RS485 (Modbus avec détection et commutation automatique) ou BACnet
Modbus	8 bits, 1 ou 2 bits d'arrêt. Impair, pair (RU) ou aucune parité.

NRT405F901

Vitesse de communication 9600, 19200, 38400 bps (Modbus et BACnet) ou 76800 bps (BACnet uniquement)

Borniers de connexion Bornier à levier pour câble de section 2,1 mm²

Indice de protection IP20

Degré de pollution 2

Catégorie de surtension 3

Matière, boîtier Polycarbonate, PC

Dimensions 102 x 120 x 29 mm

Installation

Poser le régulateur dans un endroit où la température est représentative de la température de la pièce. L'idéal est de le placer à environ 1,6 m du sol dans une zone sans obstacle à la bonne circulation de l'air.

Utiliser un tournevis pour appuyer sur la languette située sur le dessus du régulateur. Tourner le tournevis avec précaution, jusqu'à ce que le socle se sépare légèrement de la carte électronique et du capot supérieur (voir figure 1). Ensuite utiliser l'encoche qui apparaît pour finir de détacher le haut du socle du reste (voir figure 2). Répéter la même opération sur le bas du régulateur.



Figure 1



Figure 2

Soulever la partie électronique. Le socle est prépercé. Choisir les emplacements qui conviennent et fixer le socle au mur ou sur un coffret électrique de façon à ce que la flèche pointe vers le haut. Attention à ne pas serrer les vis trop fort.

Note : NRT405F901 n'a pas de fonction pour avertir en cas de dysfonctionnement du ventilateur ou de surchauffe de la batterie chaude, c'est pourquoi tous les branchements doivent être externes. Une protection contre la surchauffe ou similaire peut être utilisée pour couper le courant.



Déconnexion

NRT405F901 doit être raccordé à un disjoncteur pour pouvoir être mis hors tension. Le disjoncteur doit être placé à proximité du régulateur, bien en évidence, être facilement accessible et clairement identifié.

Toujours utiliser le disjoncteur pour isoler le régulateur lors des opérations de maintenance du ventilo-convecteur et des actionneurs.

Réglages

Modes de régulation

NRT405F901 peut commander le chauffage et le refroidissement en séquence ou peut être réglé pour un changement saisonnier (fonction change-over, voir ci-dessous).

Fonction change-over

NRT405F901 est doté d'une entrée pour la fonction change-over. Cette dernière permet d'utiliser la sortie DO4 pour commander le chauffage ou le refroidissement. Lorsque le régulateur est utilisé avec un actionneur 3 points, la sortie DO5 est également affectée par la fonction change-over, conformément au mode sélectionné. Cette entrée peut aussi être raccordée à une sonde de type PT1000 placée de sorte à mesurer la température sur le tube d'arrivée d'eau de la batterie.

Lorsque la température est supérieure à 28°C, le signal de sortie est en mode chauffage et lorsque la température est inférieure à 16°C, il est en mode refroidissement. Il est également possible d'utiliser un contact sec. L'entrée peut être réglée sur NO/NF.


Pour garantir des conditions de fonctionnement correctes avec la sonde de température, l'installation doit avoir un circuit primaire continu. Lorsque la fonction change-over n'est pas utilisée, il faut laisser l'entrée déconnectée.

Avec une batterie électrique, lorsque la fonction change-over est réglée sur chauffage, NRT405F901 passera en mode Chauffage/Chauffage et DO5 sera activée en premier.

Si aucune sonde de change-over n'est connectée, le mode de fonctionnement sera chauffage/chauffage. Si le refroidissement doit être utilisé, il faut changer le paramètre 2 (mode change-over) manuellement.


Modes de fonctionnement

Il y a quatre modes de fonctionnement. Le changement de l'un à l'autre se fait sur l'appareil.

Confort :  est affiché à l'écran. Chauffage et refroidissement ont une zone neutre, NZC, plus étroite. Un détecteur de présence peut être raccordé sur l'entrée digitale, DI, pour permettre de choisir entre Confort et Éco. Le changement entre les modes Confort/Éco et Arrêt se fait à l'aide de l'aide du bouton marche/arrêt. Le mode Confort/Économie est sélectionné à partir de la liste des paramètres.

Économie : « Standby » est affiché à l'écran. Les valeurs de consigne de chauffage et de refroidissement sont réglables indépendamment. Réglages usine : consigne de chauffage = 15 °C et consigne de refroidissement = 30 °C.

Arrêt (Off) : Le régulateur ne commande ni le chauffage ni le refroidissement et le ventilateur est à l'arrêt, sauf si la protection anti-moisissure a été sélectionnée ou si la fonction de refroidissement de la batterie électrique est activée. Dans ce cas le ventilateur continuera de tourner.

Fenêtre :  est affiché à l'écran, le régulateur est en mode Arrêt et le ventilateur est à l'arrêt (sauf si la protection anti-moisissure a été sélectionnée ou si la fonction de refroidissement de la batterie électrique est activée. Dans ce cas le ventilateur continuera de tourner). Le contact de fenêtre est connecté à l'entrée digitale, DI, et doit être configuré.

Détection de présence

Le paramètre 3 permet de déterminer si l'entrée digitale est un contact de fenêtre ou un détecteur de présence. Un détecteur de présence peut être branché sur l'entrée digitale, DI, pour permettre de passer du mode Éco au mode Confort.

Valeurs de consigne

La consigne est réglée à l'aide des boutons AUGMENTER/ DIMINUER. Le paramètre 24 permet de configurer le type d'information qui est affiché à l'écran. Pour plus de détails, voir la liste des paramètres.

Limitation de la valeur de consigne

Les paramètres 34 et 35 permettent de fixer le décalage maximum autorisé de la valeur de consigne vers le haut et vers le bas.

Exemple : Si P35=5 et P34=3, la consigne peut être changée entre 17 °C et 25 °C (voir figure ci-dessous).

La valeur de consigne de référence peut être modifiée avec le paramètre 64 (réglage d'usine = 22 °C)

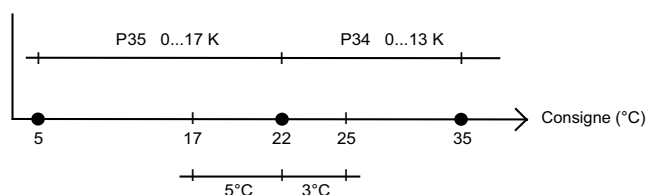


Fig. 3. Exemple de limitation de la valeur de consigne

Commande du ventilateur

NRT405F901 permet de choisir la vitesse de rotation du ventilateur parmi : lente, moyenne, rapide ou auto. En mode Auto, la vitesse du ventilateur dépend de la demande en chauffage ou en refroidissement et du réglage pour chaque vitesse.

Lorsque le contrôle automatique est sélectionné, « AUTO » est affiché à

l'écran.

Le nombre de vitesses est déterminé par le paramètre 30. Si ce paramètre est réglé sur 1, le premier étage sera utilisé pour la commande du ventilateur.

Le paramètre 31 permet de régler le ventilateur sur la vitesse lente lorsque le mode « Auto » est sélectionné. Si ce paramètre est réglé sur 1, le ventilateur fonctionnera en permanence sauf en mode Arrêt (Off) et Fenêtre. Si la protection anti-moisissure a été sélectionnée ou si la fonction de refroidissement de la batterie électrique est activée, le ventilateur se mettra aussi en route dans ces deux modes. Avec une batterie électrique, c.-à-d. lorsque le paramètre 1 réglé sur 4, le ventilateur a une période de refroidissement de 2 minutes.

Commande manuelle du ventilateur


En appuyant sur le bouton ventilateur, vous pouvez changer la vitesse du ventilateur selon la séquence suivante : I→II→III→AUTO. Lorsque le contrôle manuel est sélectionné, « MAN » est affiché à l'écran. Si le ventilateur a été configuré pour ne pas être affecté par la demande de chauffage ou de refroidissement, l'indication « AUTO » n'apparaîtra pas lors de l'utilisation du contrôle manuel.

Indications affichées à l'écran

Les textes et icônes suivants peuvent être affichés :

HEAT Mode chauffage

COOL Mode refroidissement

 Ce symbole s'affiche lorsque la fonction a été configurée et qu'une fenêtre est ouverte.

OFF Mode Arrêt, c.-à-d. que le régulateur ne régule plus ni le chauffage ni le refroidissement.

Bouton de marche/arrêt

Lorsque vous appuyez sur ce bouton, NRT405F901 passe du mode Arrêt au mode Confort/Éco.

Fonction pour la commande d'une batterie chaude électrique

NRT405F901 dispose d'une fonction pour la commande par impulsion/pause d'une batterie électrique en cascade avec une batterie à eau (commande similaire à celle utilisée pour commander un actionneur thermique). Avec une batterie électrique, le ventilateur continue de tourner pendant 2 minutes après l'arrêt de la batterie afin de la refroidir.

Avec une batterie électrique, il faut utiliser un relais SSR et le brancher entre le régulateur NRT405F901 et la batterie.

Note : NRT405F901 n'a pas de fonction pour avertir en cas de dysfonctionnement du ventilateur ou de surchauffe de la batterie chaude, c'est pourquoi tous les branchements doivent être externes. Une protection contre la surchauffe ou similaire peut être utilisée pour couper le courant.

Liste des paramètres

Lorsque le régulateur est en mode Confort ou Fenêtre, il est possible de définir les valeurs de différents paramètres dans la liste des paramètres.

Pour accéder à la liste des paramètres, appuyer simultanément sur les boutons AUGMENTER ET DIMINUER jusqu'à ce que l'indication SERVICE apparaisse à l'écran (environ 5 s) puis appuyer deux fois sur la touche AUGMENTER

Le paramètre 1 s'affiche en premier. Le paramètre 1 s'affiche en premier. Utiliser le bouton AUGMENTER/DIMINUER pour passer d'un paramètre à l'autre et appuyer sur le bouton de marche/arrêt pour sélectionner le paramètre souhaité. Le numéro du paramètre est remplacé par la valeur du paramètre en question. Utiliser les boutons AUGMENTER et DIMINUER pour changer de valeur. Lorsque le bouton est maintenu appuyé, les chiffres se mettent à défiler, d'abord lentement puis plus vite.

Pour quitter la liste des paramètres et revenir l'écran d'accueil, appuyer sur la touche AUGMENTER jusqu'à ce que « EXIT » s'affiche à l'écran (juste avant le paramètre 1) puis appuyer sur le bouton de marche/arrêt. Vous pouvez aussi appuyer simultanément sur les touches AUGMENTER/DIMINUER

Paramètres

Les paramètres suivants peuvent être modifiés dans la liste des paramètres :

N° = Numéro de paramètre

RU = réglage d'usine.

NO = normalement ouvert

NF = normalement fermé

N°	Description	RU
1	Modes de régulation : 2=installation à 2 tubes, 3=installation à 4 tubes, 4=Batterie électrique	3
2	Fonction Change-over : 0=Chauffage, 1=Refroidissement, 2=Changement automatique commandé soit par la sonde de température analogique soit par l'entrée digitale.	2
3	Mode de fonctionnement sur activation de DI1 : 0=Mode Éco (détecteur de présence) 1=Mode Arrêt (contact de fenêtre)	1
4	Protection anti-moisissure : 0=Inactive 1=Active (le ventilateur continue de tourner)	0

N°	Description	RU
5	Zone neutre du mode Confort (NZC). Si la zone neutre est 2 K, la consigne de chauffage est égale à la consigne moins 1 et la consigne de refroidissement est égale à la consigne plus 1.	1 K
6	Valeur de consigne du chauffage en mode Éco.	15 °C
7	Valeur de consigne du refroidissement en mode Éco.	30 °C
8	Bande proportionnelle du régulateur	4 K
9	Temps d'intégration du régulateur	300 s
10	<i>Sans objet pour ce modèle.</i>	
11	Retard à l'arrêt du mode Confort.	0 min
12	Retard à la mise en route du mode Confort.	0 min
13	Type de sonde raccordée à AI1 : 0=Sonde interne, 1=Sonde d'ambiance externe	0
14	Type de sonde raccordée à UI1 : 0=Aucune, 1=Change-over digital, 2=Change-over analogique	0
15	Type d'actionneur digital : 0 = Actionneur thermique, 1 = Actionneur 3 points	0
16-17	<i>Sans objet pour ce modèle.</i>	
18	Temps de cycle de l'actionneur de chauffage lorsqu'un actionneur thermique est utilisé.	480 s
19	Temps de cycle de l'actionneur de refroidissement lorsqu'un actionneur thermique est utilisé.	480 s
20	Temps de course de l'actionneur de chauffage lorsqu'un actionneur ToR est utilisé.	120 s
21	Temps de course de l'actionneur de refroidissement lorsqu'un actionneur ToR est utilisé.	120 s
22	Fréquence du dégommage de l'actionneur de chauffage (en heures).	23
23	Fréquence du dégommage de l'actionneur de refroidissement (en heures).	23
24	Choix du type d'information affiché à l'écran : 0=Valeur réelle, la consigne s'affiche lorsque cette dernière est modifiée; 1=Valeur réelle, l'ajustement de la consigne s'affiche lorsque la consigne est modifiée; 2=Valeur de consigne; 3=Ajustement du point de consigne.	2

N°	Description	RU
25	Configuration de la commande du ventilateur : 0=Aucun contrôle, 1=Le ventilateur est commandé par la demande en chauffage, 2=Le ventilateur est commandé par la demande en refroidissement, 3=Le ventilateur est commandé par la demande en chauffage et en refroidissement. Avec une batterie électrique, ce paramètre doit être réglé sur 1 ou 3 pour éviter le risque de surchauffe.	3
26	Seuil de mise en route du ventilateur en vitesse I (en % du signal de commande du chauffage ou du refroidissement).	20 (5 avec une batterie électrique)
27	Seuil de mise en route du ventilateur en vitesse II (en % du signal de commande du chauffage ou du refroidissement).	60
28	Seuil de mise en route du ventilateur en vitesse III (en % du signal de commande du chauffage ou du refroidissement).	100
29	Hystérésis pour le démarrage/arrêt des ventilateurs (en % du signal de commande du régulateur)	5
30	Nombre de vitesses du ventilateur (1-3)	3
31	Vitesse du ventilateur en mode Auto : 0=La vitesse du ventilateur suit la sortie refroidissement/chauffage, 1=La vitesse du ventilateur est limitée à la vitesse la plus basse.	0
32	Compensation de la température sur AI1	0 K
33	Compensation de la température pour la sonde de température ambiante interne	0 K
34	Ajustement maximum autorisé de la valeur de consigne vers le haut. Réglable : 0...13 K. Valeur de la consigne par défaut : 22 °C.	3 K
35	Ajustement maximum autorisé de la valeur de consigne vers le bas. Réglable : 0...17 K. Valeur de la consigne par défaut : 22 °C.	3 K
36	État de l'entrée digitale 1, NO/NF : 0=NO, 1=NF	1

N°	Description	RU
37	État de l'entrée universelle 1, NO/NF : 0=NO, 1=NF	0
38	État de la sortie digitale 4, NO/NF : 0=NO, 1=NF	1
39	État de la sortie digitale 5, NO/NF : 0=NO, 1=NF	1
40	Signal de sortie chauffage : 0 = Arrêt, 1 = Manuel, 2 = Auto	2
41	Signal de sortie refroidissement : 0 = Arrêt, 1 = Manuel, 2 = Auto	2
42	Commande manuelle du signal de sortie chauffage	0
43	Commande manuelle du signal de sortie refroidissement	0
44	Modèle	-
45	Version Majeure	-
46	Version Mineure	-
47	Version officielle ou bêta	-
48	Révision	-
49	Rétroéclairage afficheur faible luminosité.	10
50	Rétroéclairage afficheur luminosité élevée.	30
51	Adresse PLA	-
52	Adresse ELA	-
53	Adresse Modbus	254
54	Bit de parité pour la communication Modbus : 0=Pas de parité, 1=Parité impaire, 2=Parité paire	2
55	Déconnexion automatique Modbus pour un caractère (t1.5), en ms. Doit être égal à 1,5 fois un caractère, c.-à-d. au moins 2 ms.	2 ms
56	Délai de réponse Modbus (t3.5) en ms. Doit être égal à 3,5 fois un caractère, c.-à-d. au moins 5 ms.	5 ms
57	Protocole de communication : 0=Modbus, 1=BACnet MS/TP	0
58	Adresse MAC BACnet MS/TP 0-127=adresse maître, 128-254=adresse esclave	-
59	Les 4 chiffres inférieurs du BACnet device ID, 0-9999	-
60	Les 3 chiffres supérieurs du BACnet device ID	-
61	BACnet MS/TP, Nombre max d'appareils connectés	127

N°	Description	RU
62	Vitesse de la communication : 0=9600 bps, 1=19200 bps, 2=38400 bps, 3=76800 bps (alternative 3 pour BACnet uniquement)	0
63	Réinitialisation des paramètres de communication (sauf adresses) à leurs valeurs d'usine : 1=Réglages d'usine (Modbus@9600)	0
64	Valeur de consigne de référence Réglable : 5...50 °C.	22 °C

Raccordement

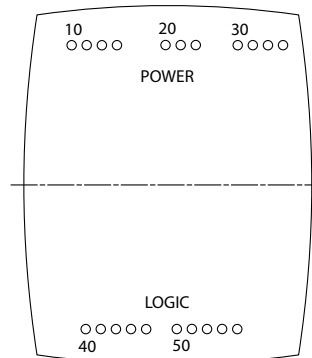


Fig. 4. Connexions sur le socle

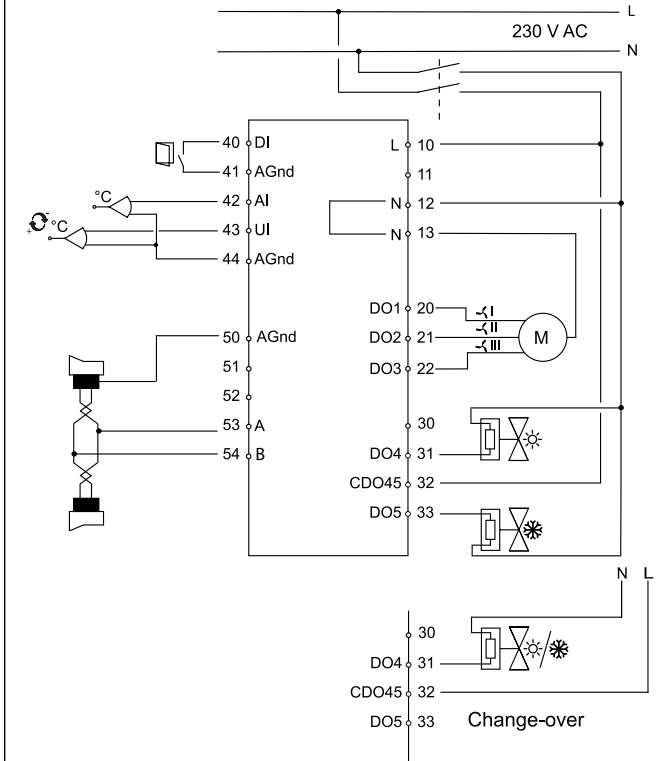


Fig. 5. Schéma de raccordement

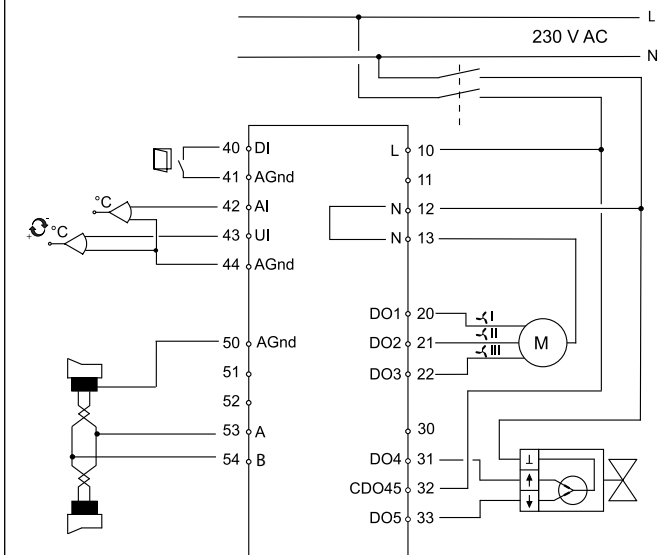


Fig. 6. Schéma de raccordement

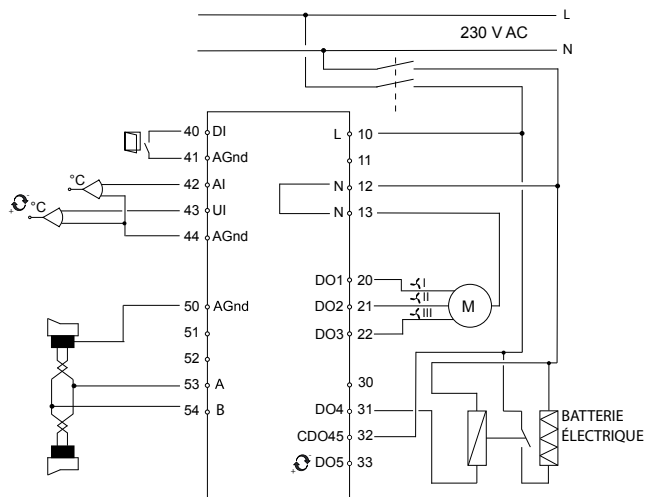


Fig. 7. Schéma de raccordement avec une batterie électrique

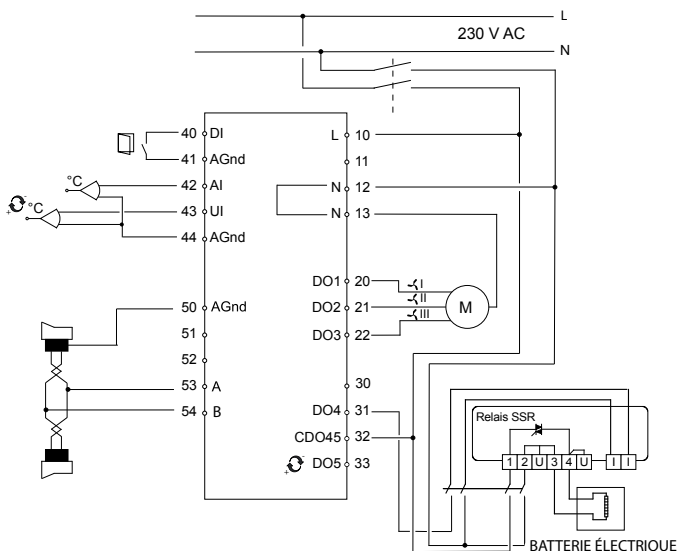


Fig. 8. Schéma de raccordement avec une batterie électrique et un relais SSR

Raccordement de différents actionneurs.

Avec des actionneurs thermiques, utiliser DO4 pour commander l'actionneur du chauffage et DO5 pour commander l'actionneur de refroidissement. Lorsque la fonction change-over est utilisée dans une installation à 2 tubes, l'actionneur doit être raccordé sur DO4.

Avec un actionneur 3 points, DO4 sert pour augmenter le signal et DO5 pour le diminuer. C'est aussi valable lorsque la fonction change-over est utilisée.

10	L	230 V AC, phase	Alimentation électrique
11	-	Non utilisé	
12	N	230 V AC, neutre	Alim. élec. (connectée en interne à la borne 13)
13	N	Neutre ventilo-convecteur / Neutre 230 V AC	Borne neutre du ventilo-convecteur (connectée en interne à la borne 12)
20	DO1	Sortie 1 ventilo-convecteur. Commande ventilateur	Relais, 230 V AC*, 3 A
21	DO2	Sortie 2 ventilo-convecteur. Commande ventilateur	Relais, 230 V AC*, 3 A
22	DO3	Sortie 3 ventilo-convecteur. Commande ventilateur	Relais, 230 V AC*, 3 A
30	-	Non utilisé	
31	DO4	Sortie digitale 4 pour commander le chauffage/ refroidissement (thermique) ou pour commander l'ouverture avec un actionneur 3 points.	Sortie digitale 230 V AC, max 300 mA. Max. 2 A pendant 20 ms.
32	CDO45	Commun DO4 & 5	Commun pour les sorties digitales 4 et 5
33	DO5	Sortie digitale 5 pour commander le refroidissement ou la fermeture avec un actionneur 3 points. Chauffage/ refroidissement lorsqu'une batterie électrique est configurée.	Sortie digitale 230 V AC, max 300 mA. Max. 2 A pendant 20 ms.

40	DI	Entrée digitale	Contact libre de potentiel pour un contact de fenêtre ou un détecteur de présence. Réglable sur NO/NF.
41	Agnd	Commun (signaux analogiques)	
42	AI	Entrée analogique	Sonde PT1000 externe à la place de la sonde NTC interne
43	UI	Entrée universelle	Entrée change-over. Contact libre de potentiel (réglable sur NO/NF) ou PT1000.
44	Agnd	Commun (signaux analogiques)	
50	Agnd	Commun (signaux analogiques)	
51	-	Non utilisé	
52	-	Non utilisé	
53	A	RS485 communication A	
54	B	RS485 communication B	

*Protection par fusible équivalent à la somme des courants entre DO1-DO3.



Directive basse tension (BT) / Directive compatibilité électromagnétique (CEM)

Ce produit est conforme aux exigences des directives CEM et BT et répond aux standards EN60730-1:2000 et EN60730-2-9:2002. Il porte le marquage CE.

RoHS

Ce produit répond aux exigences de la directive 2011/65/UE du Parlement européen et du Conseil.

Contact

Sauter Italia S.p.A., Via Dei Laboratori,
131 IT-20092 Cinisello Balsamo (MI), Italia
Tel: +39 02 280 481, Fax: +39 02 280 482 80
www.sauteritalia.it